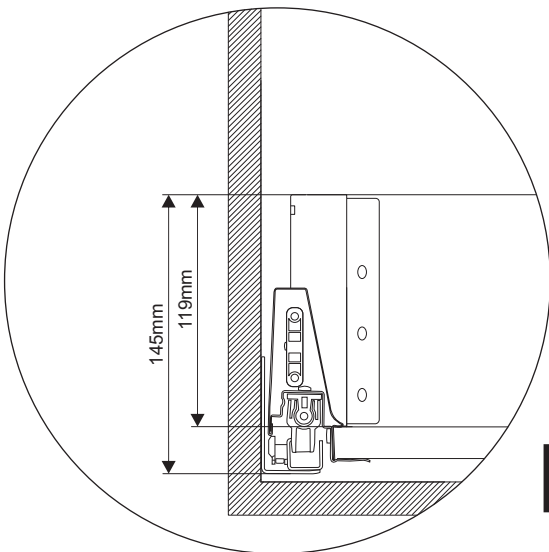
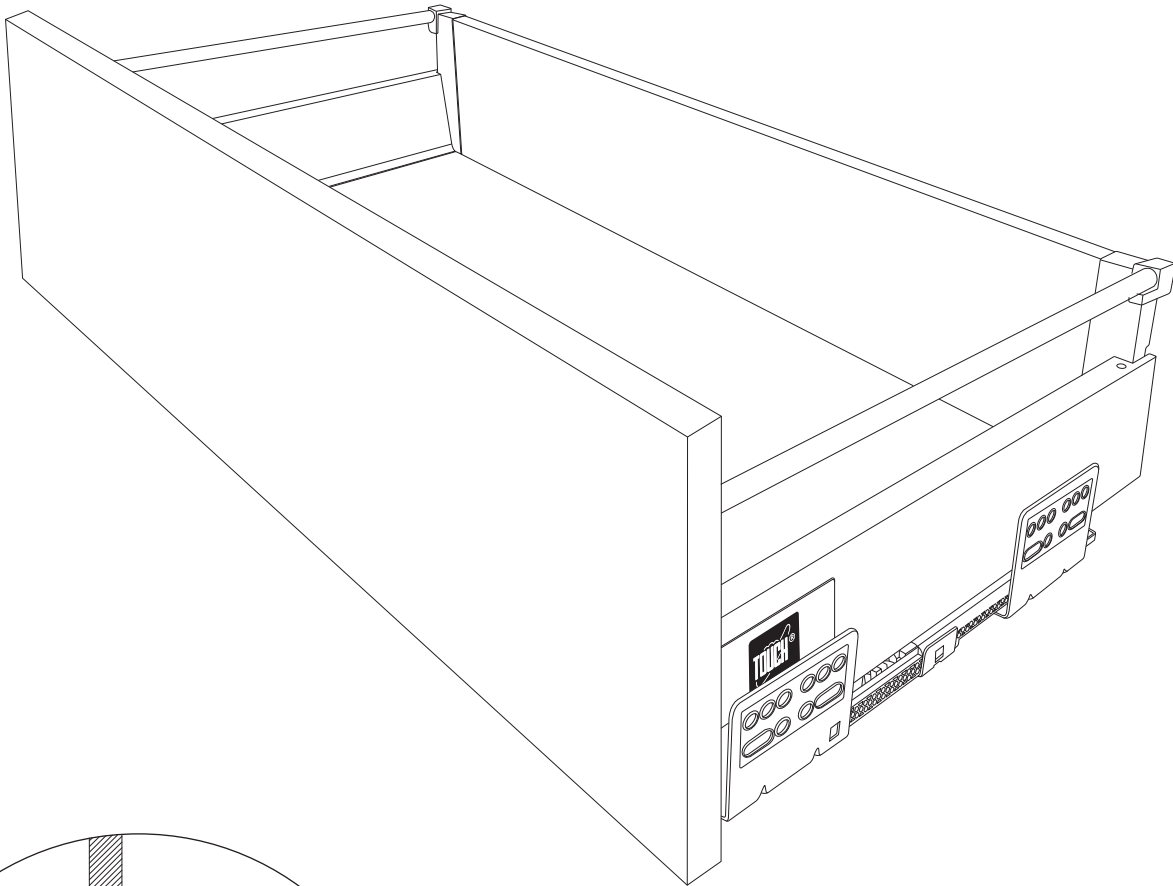
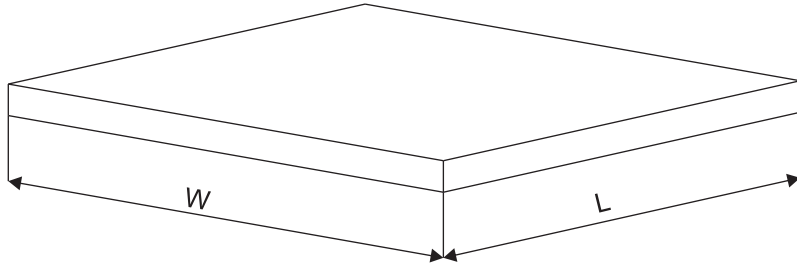


TOUCH SAVERIO DOUBLE-WALL DRAWER SLIDES SYSTEM

Specifications & Installation



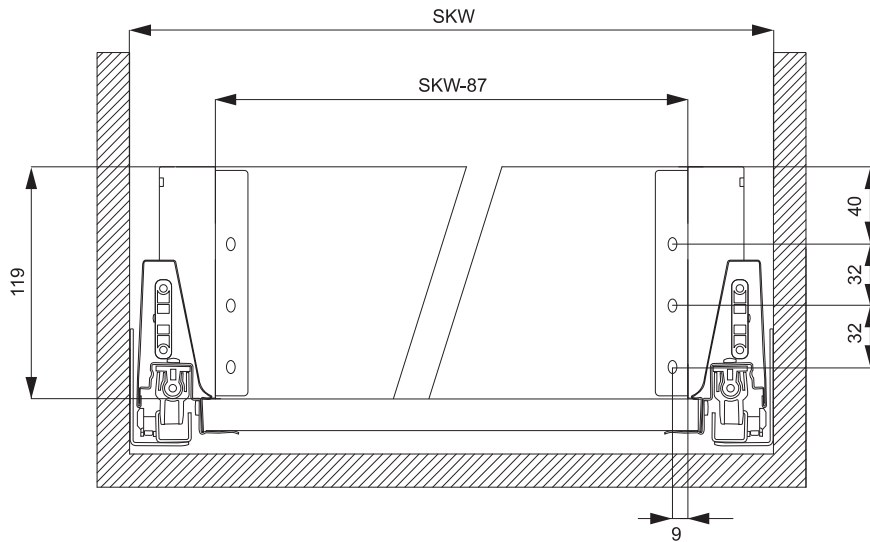
Level 2



Bottom panel length

| Drawer Tirour | L |
|---------------|--------|
| 270 mm | 263 mm |
| 300 mm | 293 mm |
| 350 mm | 343 mm |
| 400 mm | 393 mm |
| 450 mm | 443 mm |
| 500 mm | 493 mm |
| 550 mm | 543 mm |

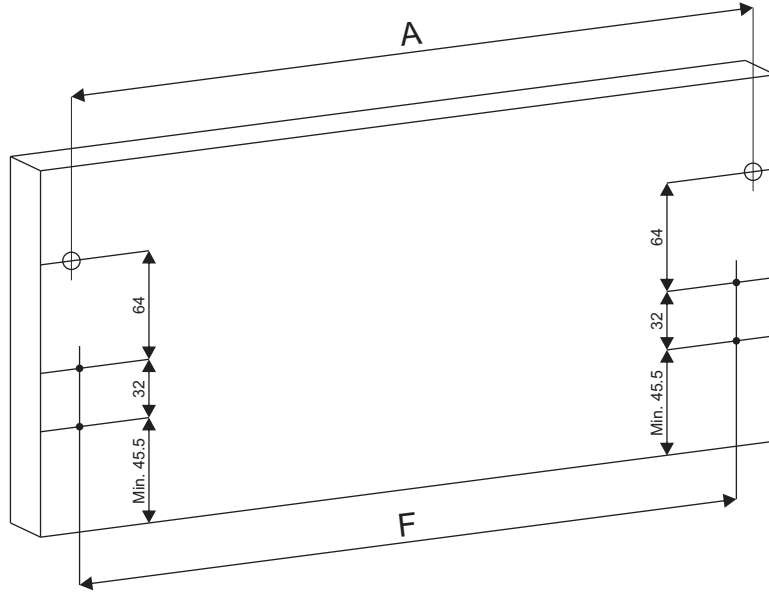
W = Internal cabinet width - 75 mm



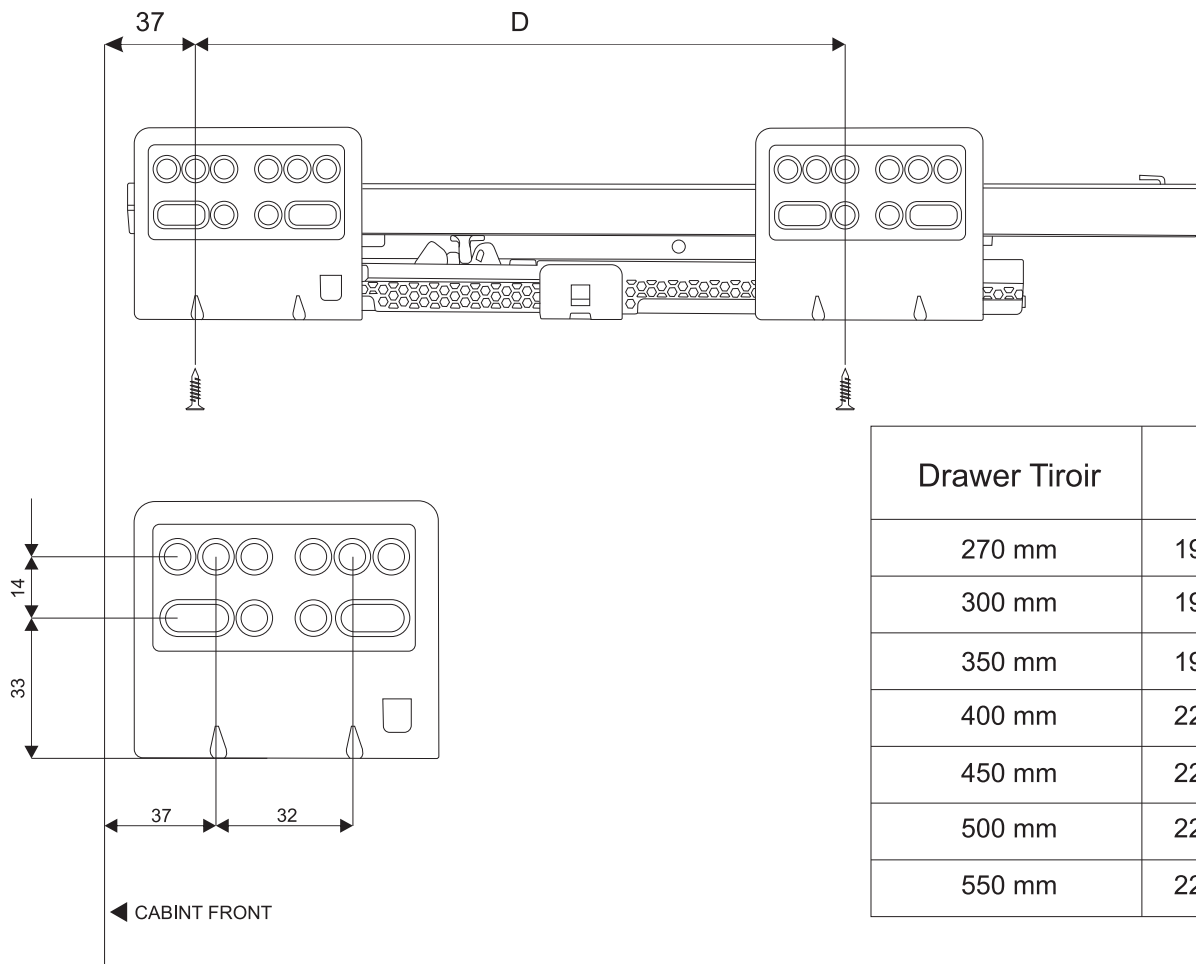
Back panel width

SKW = Internal cabinet width - 87 mm

Drawer Front and Slide Mounting



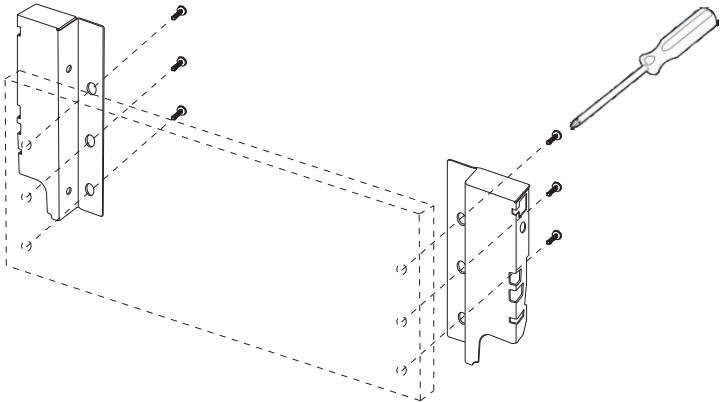
F = Internal cabinet width - 28mm
 A = Internal cabinet width - 24mm



| Drawer Tiroir | D |
|---------------|--------|
| 270 mm | 192 mm |
| 300 mm | 192 mm |
| 350 mm | 192 mm |
| 400 mm | 224 mm |
| 450 mm | 224 mm |
| 500 mm | 224 mm |
| 550 mm | 224 mm |

Mounting Sequence

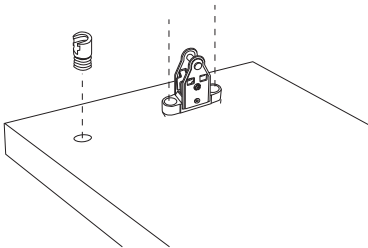
Assemble back connections to back panel.



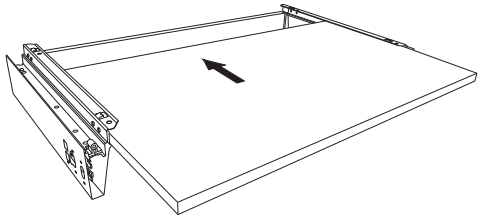
Assemble three drawer components by pressing the two sides against back panel.



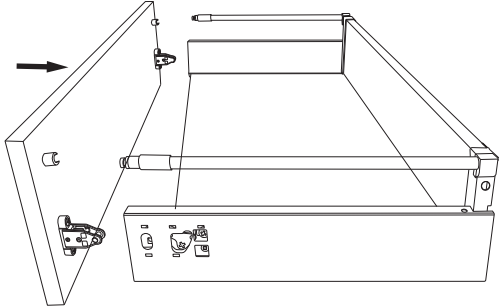
Screw version.
Fasten front connections.



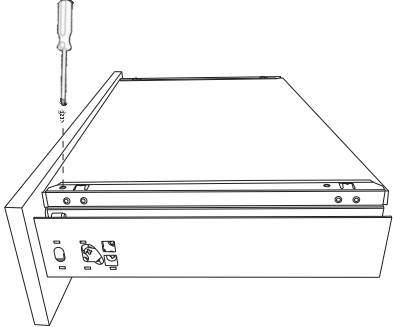
Fit drawer bottom in.



Assemble front panel on to the drawer.

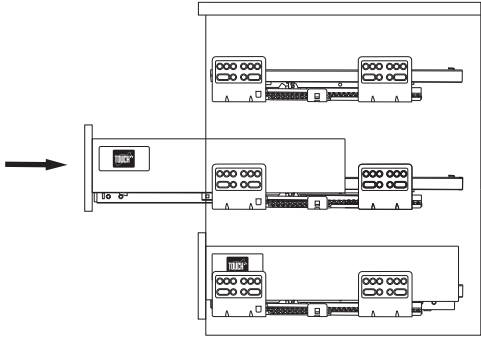


Tighten selftapping screws to fix bottom.



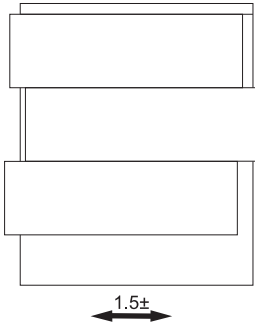
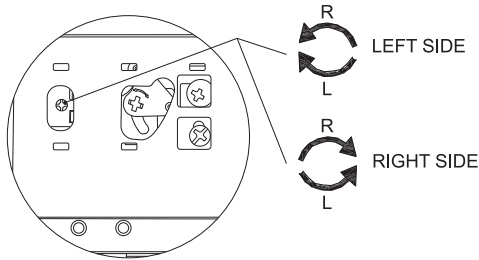
Mounting Sequence

Assemble drawer into the cabinet in the way shown by the drawing.

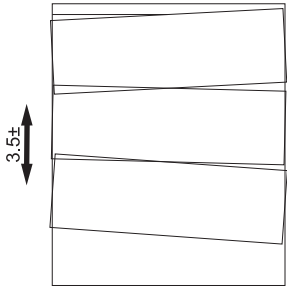
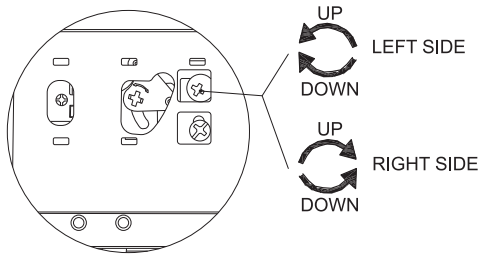


Adjust drawer front

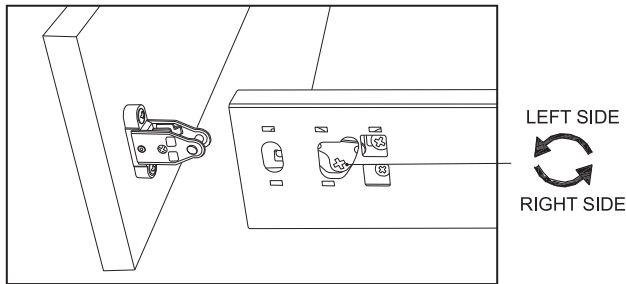
Horizontal Adjustment



Vertical Adjustment



Pop-up panel



Assemble cover plates.

