






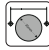



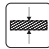
# SOFT CLOSING ONE WAY HINGES

## CLIP ON SOFT CLOSING ONE WAY 3D HINGES

## TCH-11302 SERIES

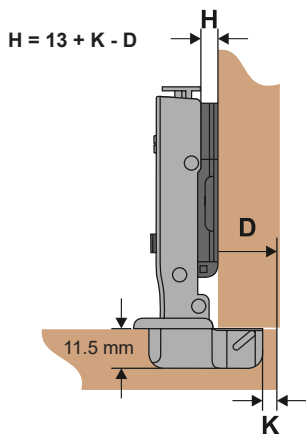


### • Basic spec

-  Hydraulic buffer
-  Opening angle: 105°
-  Diameter of hinge cup: 35mm
-  Height of hinge cup 11.5mm
-  Distance of door drilling: 3-7mm
-  Distance of cup holes center: 45mm, 48mm, 52mm
-  Door thickness: 14-21mm
-  Finishing: Nickel plated
-  Main material: Cold-rolled steel
-  Material thickness: 0.8 - 1.2 - 1.2 mm



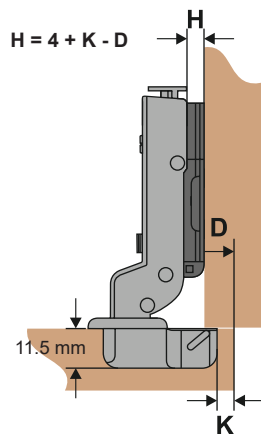
**F**  
Full Overlay



D	H	K	3	4	5	6	7
0	0	16	17	18	19	20	
3	3	13	14	15	16	17	
5	5	11	12	13	14	15	



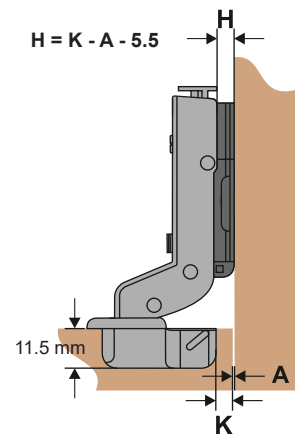
**H**  
Half Overlay



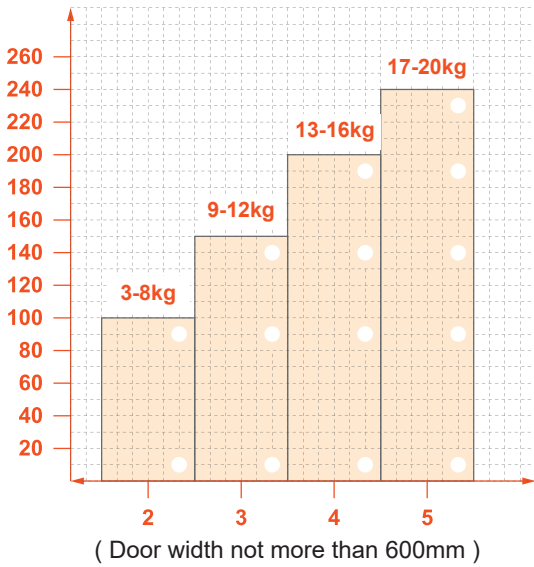
D	H	K	3	4	5	6	7
0	0	7	8	9	10	11	
3	3	4	5	6	7	8	
5	5	2	3	4	5	6	



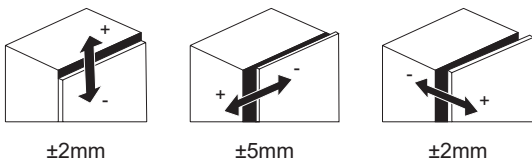
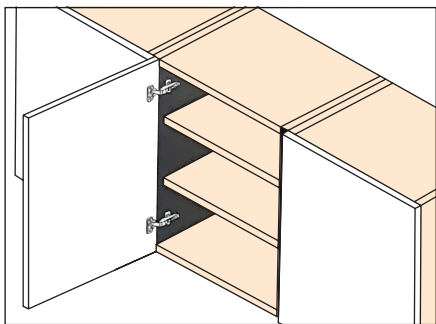
**i**  
Inset



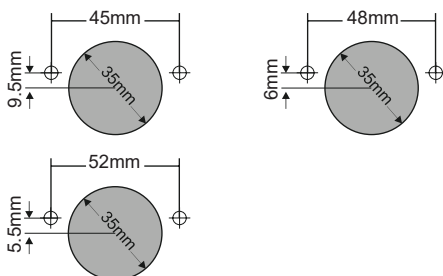
A	H	K	3	4	5	6	7
0	0	-2.5	-1.5	-0.5	0.5	1.5	
3	3	-5.5	-4.5	-3.5	-2.5	-1.5	
5	5	-7.5	-6.5	-5.5	-4.5	-3.5	



● **Application**

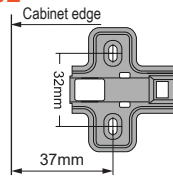


● **Dimension of hinge cup**



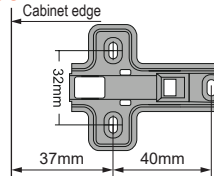
● **Mounting-plate**

**B02**



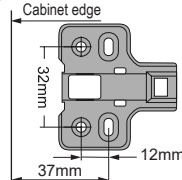
Hole Type	H Value	Type
Two holes	H=0 / 3 / 5	Clip on

**B03**



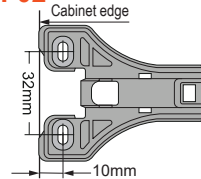
Hole Type	H Value	Type
Three holes	H=0 / 3 / 5	Clip on

**B04**



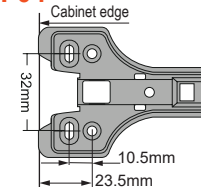
Hole Type	H Value	Type
Four holes	H=0 / 3 / 5	Clip on

**F02**



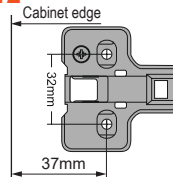
Hole Type	H Value	Type
Two holes	H=0 / 3 / 5	Clip on

**F04**



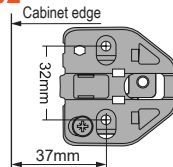
Hole Type	H Value	Type
Four holes	H=0 / 3 / 5	Clip on

**D12**



Hole Type	H Value	Type
Two holes	H=0 / 3 / 5	Clip on

**D02**



Hole Type	H Value	Type
Two holes	H=0 / 3 / 5	Clip on

● **Cup cover**

**C.C**



● **Arm cover**

**A.C1**



**A.C3**



● **Alternative screw types**

	D8 Dowel 8×10 mm		D10 Dowel 10×10 mm
	E Euro screw 6.3×14 mm		S Wood screw 4×16 mm