



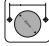
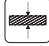
TWO WAY CORNER HINGES

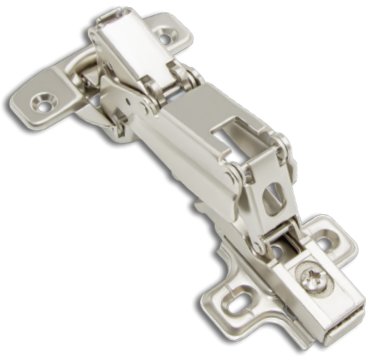
CLIP ON TWO WAY CORNER HINGES

TCH-14102 SERIES

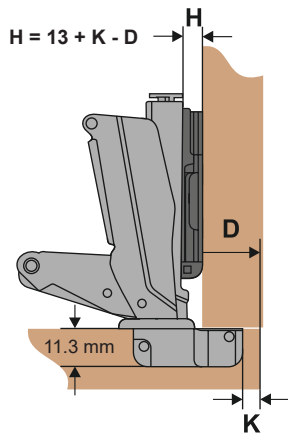


• Basic spec

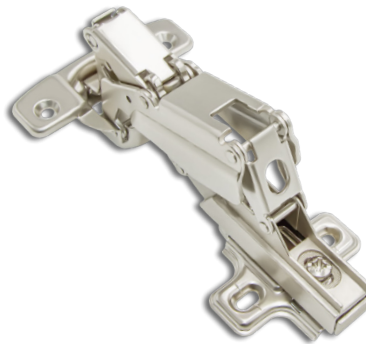
-  Opening angle: 165 °
-  Diameter of hinge cup: 35mm
-  Height of hinge cup 11.3mm
-  Distance of door drilling: 3-7mm
-  Distance of cup holes center: 45mm, 48mm, 52mm
-  Door thickness: 14-25mm
-  Finishing: Nickel plated
-  Main material: Cold-rolled steel
-  Material thickness: 0.8 - (1.8, zinc alloy) - 1.2 mm



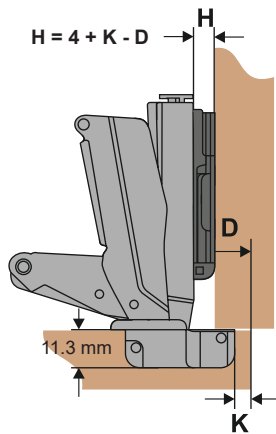
F
Full Overlay



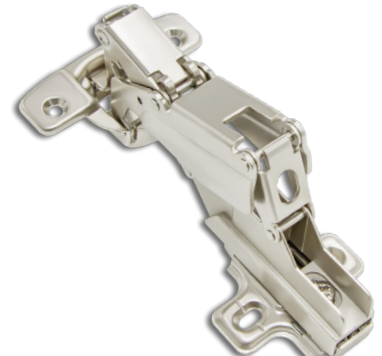
| D | H | K | 3 | 4 | 5 | 6 | 7 |
|---|---|----|----|----|----|----|---|
| 0 | 0 | 16 | 17 | 18 | 19 | 20 | |
| 2 | 0 | 14 | 15 | 16 | 17 | 18 | |
| 4 | 0 | 12 | 13 | 14 | 15 | 16 | |



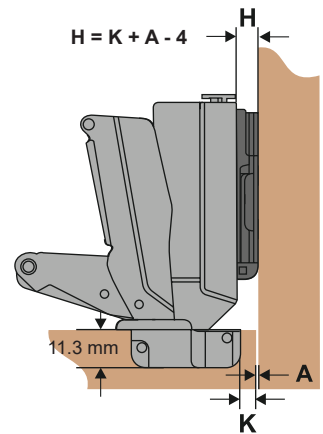
H
Half Overlay



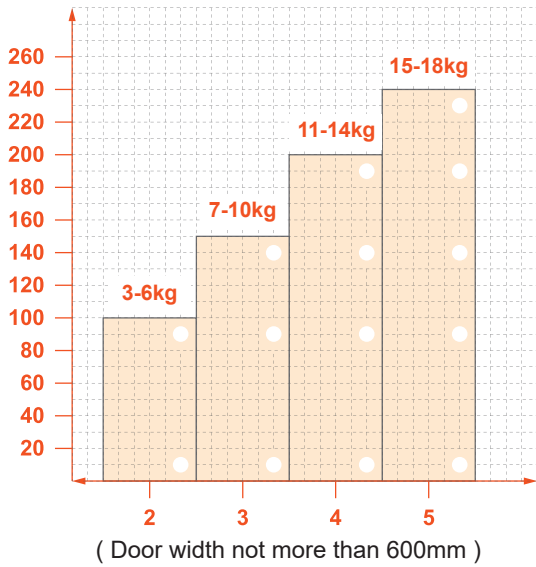
| D | H | K | 3 | 4 | 5 | 6 | 7 |
|---|---|---|---|---|----|----|---|
| 0 | 0 | 7 | 8 | 9 | 10 | 11 | |
| 2 | 0 | 5 | 6 | 7 | 8 | 9 | |
| 4 | 0 | 3 | 4 | 5 | 6 | 7 | |



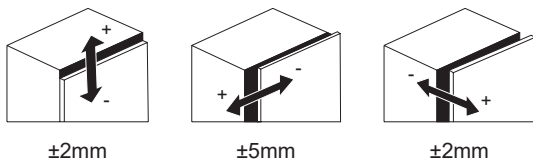
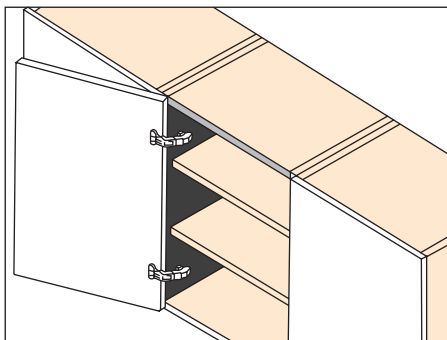
i
Inset



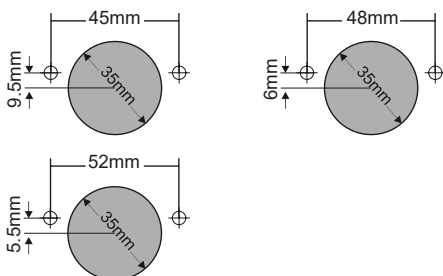
| A | H | K | 3 | 4 | 5 | 6 | 7 |
|---|---|---|---|----|----|----|---|
| 0 | 0 | 1 | 0 | -1 | -2 | -3 | |
| 2 | 0 | 3 | 2 | 1 | 0 | -1 | |
| 4 | 0 | | | | | | |



● **Application**

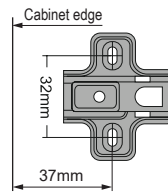


● **Dimension of hinge cup**



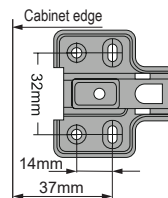
● **Mounting-plate**

B02



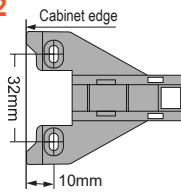
| Hole Type | H Value | Type |
|-----------|-------------|---------|
| Two holes | H=0 / 2 / 4 | Clip on |

B04



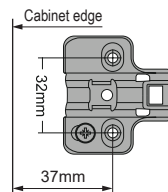
| Hole Type | H Value | Type |
|------------|-------------|---------|
| Four holes | H=0 / 2 / 4 | Clip on |

FZ02



| Hole Type | H Value | Type |
|-----------|-------------|---------|
| Two holes | H=0 / 2 / 4 | Clip on |

D12



| Hole Type | H Value | Type |
|-----------|-------------|---------|
| Two holes | H=0 / 2 / 4 | Clip on |

● **Alternative screw types**

