


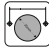





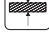
# TWO WAY CORNER HINGES

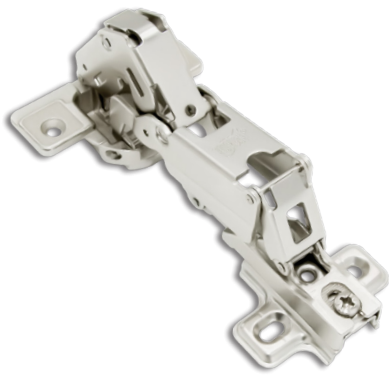
## SLIDE ON TWO WAY CORNER HINGES

## TCH-14101 SERIES

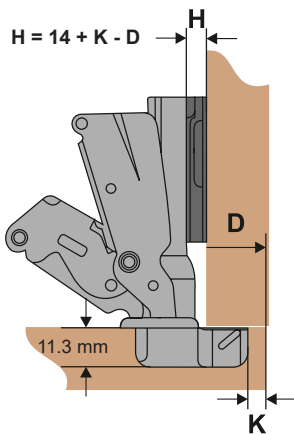


### • Basic spec

-  Opening angle: 165 °
-  Distance of cup holes center: 45mm, 48mm, 52mm
-  Diameter of hinge cup: 35mm
-  Door thickness: 14-25mm
-  Height of hinge cup 11.3mm
-  Finishing: Nickel plated
-  Distance of door drilling: 3-7mm
-  Main material: Cold-rolled steel
-  Material thickness: zinc alloy - 1.8 - 1.2 mm



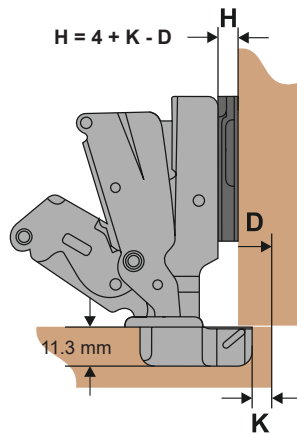
**F**  
Full Overlay



D	H	K	3	4	5	6	7
0	H	K	17	18	19	20	21
2			15	16	17	18	19
4			13	14	15	16	17



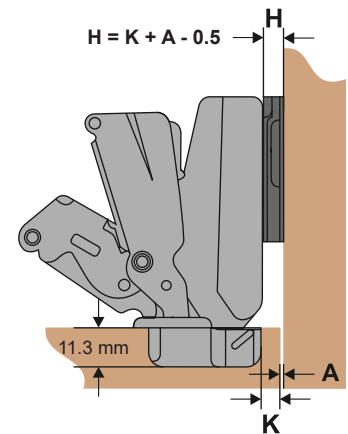
**H**  
Half Overlay



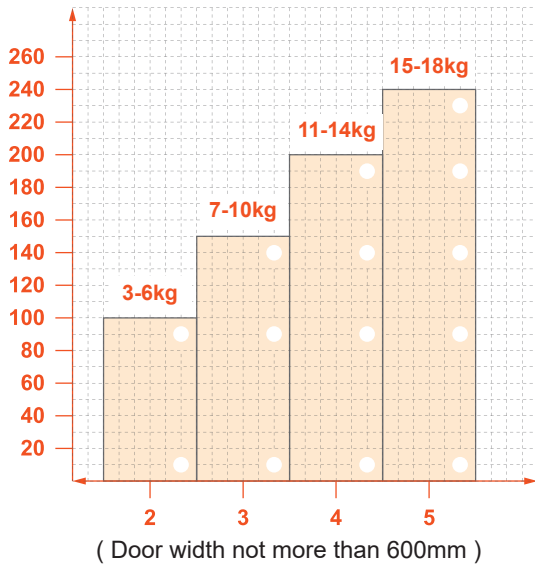
D	H	K	3	4	5	6	7
0	H	K	7	8	9	10	11
2			5	6	7	8	9
4			3	4	5	6	7



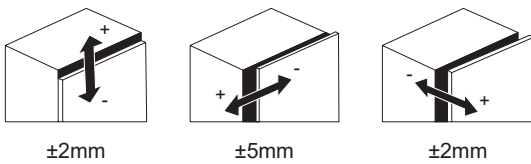
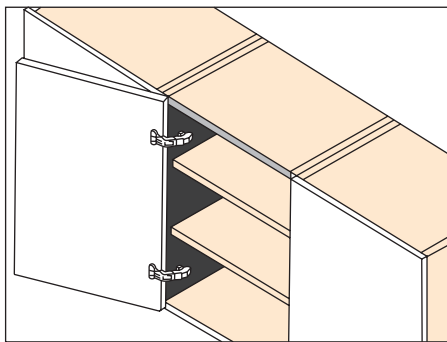
**i**  
Inset



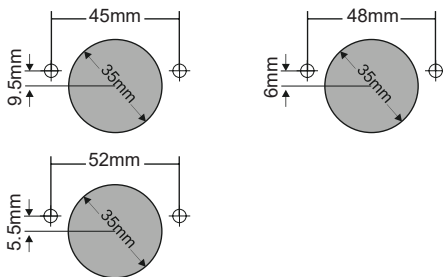
D	H	K	A	3	4	5	6	7
0	H	K	A	-2.5	-1.5	-0.5	0.5	1.5
2				-5.5	-4.5	-3.5	-2.5	-1.5
4				-7.5	-6.5	-5.5	-4.5	-3.5



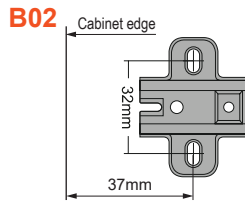
● **Application**



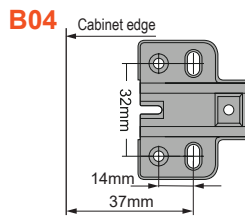
● **Dimension of hinge cup**



● **Mounting-plate**



Hole Type	H Value	Type
Two holes	H=0 / 2 / 4	Slide on



Hole Type	H Value	Type
Four holes	H=0 / 2 / 4	Slide on

● **Alternative screw types**

