

# ALUMINUM FRAME TWO WAY HINGES

## SLIDE ON TWO WAY ALUMINUM FRAME HINGES

## TCH-12101 SERIES



### Basic spec



Opening angle: 110 °



Drilling of hinge cup: 42mm



Distance of two holes center: 28mm



Aluminium profile width: 19-22mm



Finishing: Nickel plated



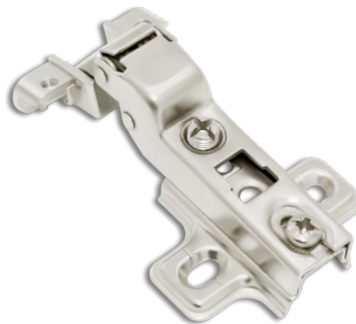
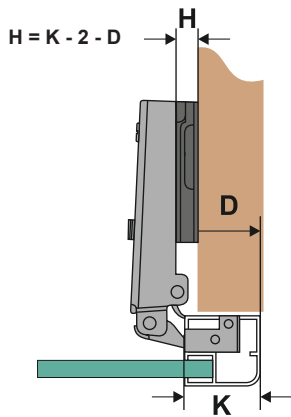
Main material: Cold-rolled steel



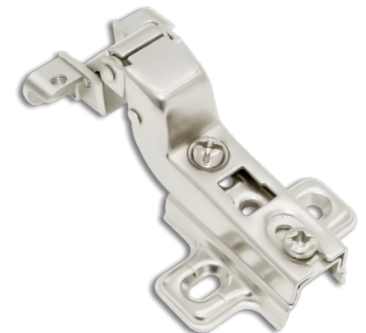
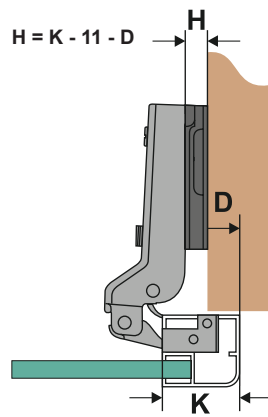
Material thickness: Zinc alloy - 1.2 - 1.2 mm



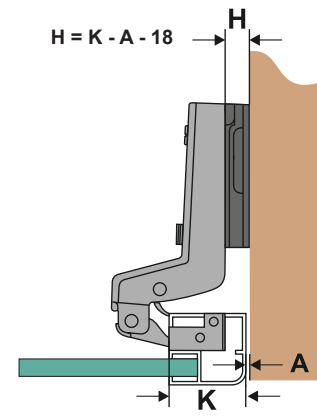
**F**  
Full Overlay



**H**  
Half Overlay



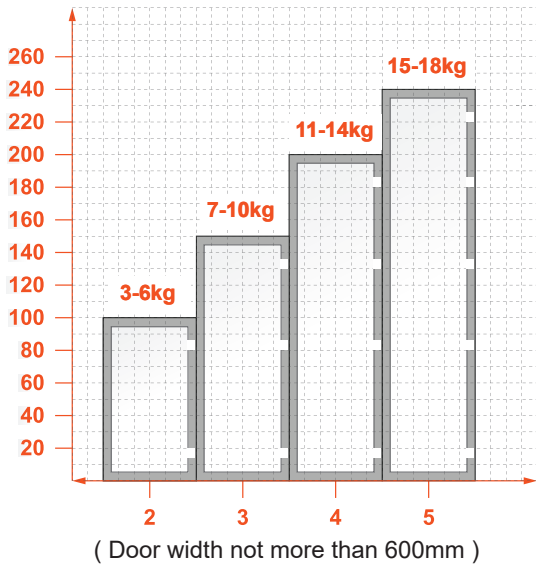
**i**  
Inset



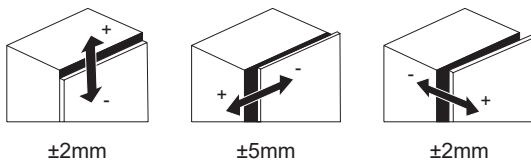
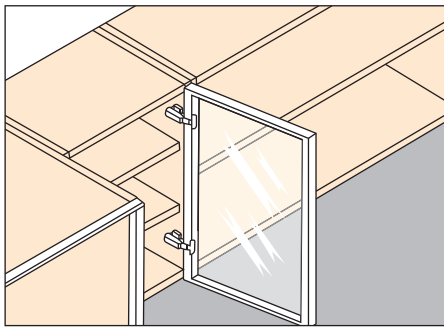
D	H	K	19	20	21	22
0	0	17	18	19	20	
2	2	15	16	17	18	
4	4	13	14	15	16	

D	H	K	19	20	21	22
0	0	8	9	10	11	
2	2	6	7	8	9	
4	4	4	5	6	7	

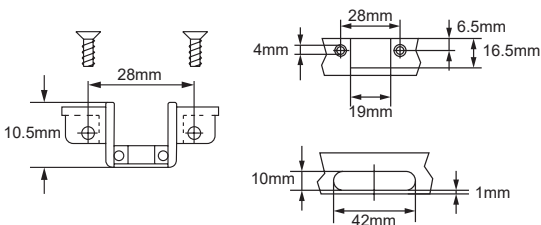
A	H	K	19	20	21	22
2	2	-1	0	1	2	
4	4	-3	-2	-1	0	



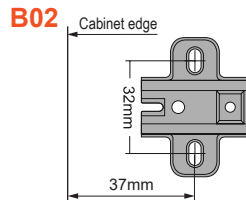
● **Application**



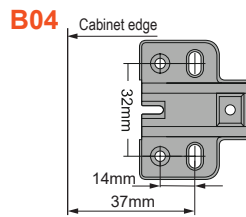
● **Dimension of hinge cup**



● **Mounting-plate**



Hole Type	H Value	Type
Two holes	H=0 / 2 / 4	Slide on



Hole Type	H Value	Type
Four holes	H=0 / 2 / 4	Slide on

● **Arm cover**

**A.C1**



**A.C2**



● **Alternative screw types**

