



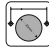



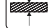


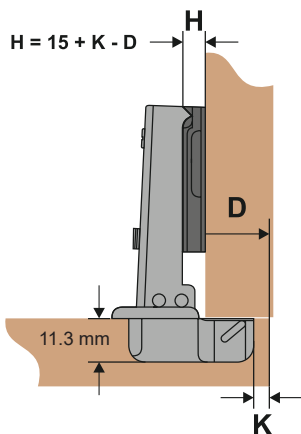


• **Basic spec**

-  Opening angle: 105 °
-  Diameter of hinge cup: 35mm
-  Height of hinge cup 11.3mm
-  Distance of door drilling: 3-7mm
-  Distance of cup holes center: 45mm, 48mm, 52mm
-  Door thickness: 14-21mm
-  Finishing: Nickel plated
-  Main material: Cold-rolled steel
-  Material thickness: 0.8 - 1.2 - 1.2 mm



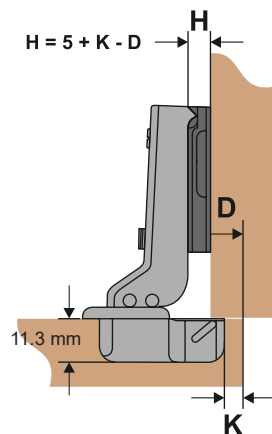
**F**  
Full Overlay



D \ H \ K	3	4	5	6	7
0	18	19	20	21	22
2	16	17	18	19	20
4	14	15	16	17	18



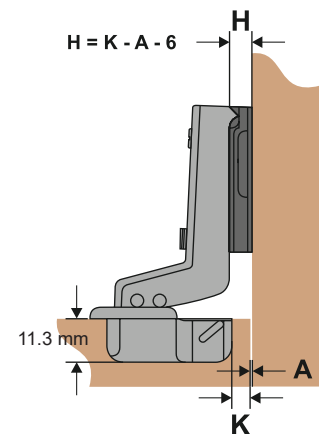
**H**  
Half Overlay



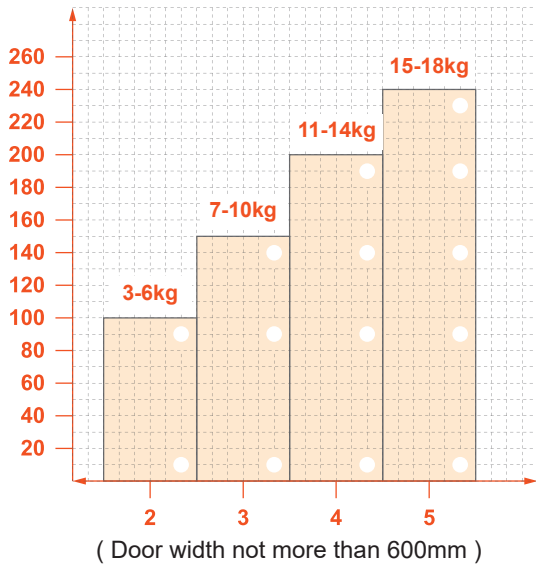
D \ H \ K	3	4	5	6	7
0	8	9	10	11	12
2	6	7	8	9	10
4	4	5	6	7	8



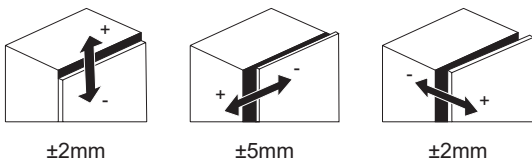
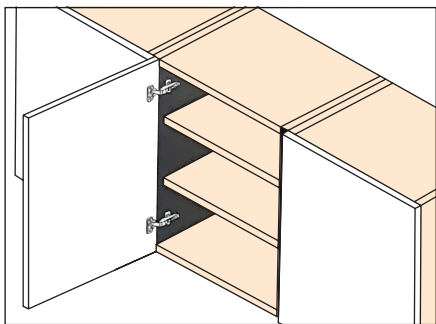
**i**  
Inset



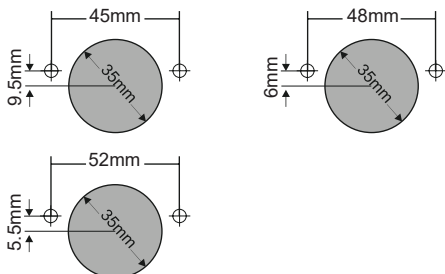
A \ H \ K	3	4	5	6	7
0	-3	-2	-1	0	1
2	-5	-4	-3	-2	-1
4	-7	-6	-5	-4	-3



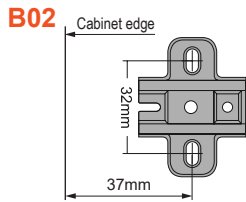
● **Application**



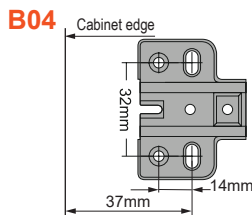
● **Dimension of hinge cup**



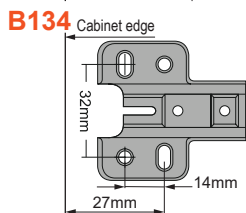
● **Mounting-plate**



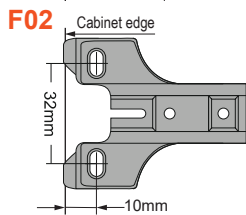
Hole Type	H Value	Type
Two holes	H=0 / 2 / 4	Slide on



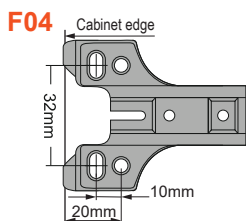
Hole Type	H Value	Type
Four holes	H=0 / 2 / 4	Slide on



Hole Type	H Value	Type
Four holes	H=0 / 2 / 4	Slide on



Hole Type	H Value	Type
Two holes	H=0 / 2 / 4	Slide on



Hole Type	H Value	Type
Four holes	H=0 / 2 / 4	Slide on

● **Cup cover**

**C.C**



● **Arm cover**

**A.C1**



**A.C2**



● **Alternative screw types**

	D8 Dowel 8×10 mm		D10 Dowel 10×10 mm
	E Euro screw 6.3×14 mm		S Wood screw 4×16 mm