










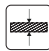
# SOFT CLOSING ONE WAY HINGES

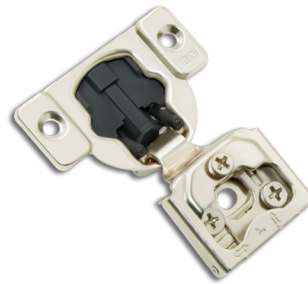
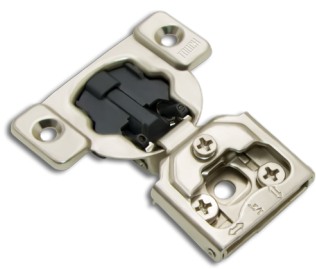
## COMPACT SOFT CLOSING ONE WAY HINGES

## TCH-11309 SERIES

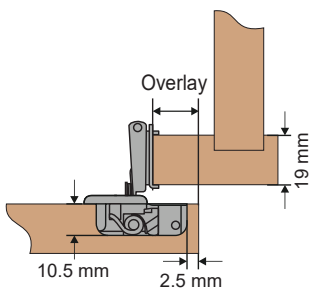


### • Basic spec

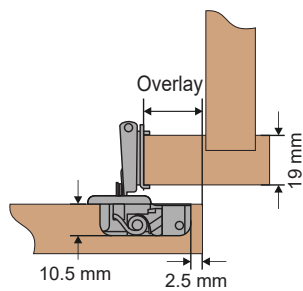
-  Hydraulic buffer
-  Distance of cup holes center: 45mm, 48mm, 52mm
-  Opening angle: 105 °
-  Door thickness: 14-21mm
-  Diameter of hinge cup: 35mm
-  Finishing: Nickel plated
-  Height of hinge cup 10.5mm
-  Main material: Cold-rolled steel
-  Distance of door drilling: 3-7mm
-  Material thickness: 0.8 - 1.8 - 1.2 mm



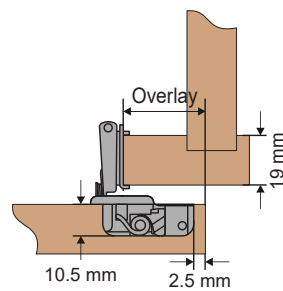
**0.50**  
1/2" Overlay



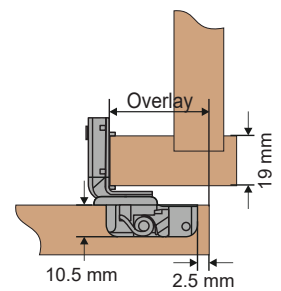
**0.75**  
3/4" Overlay



**1.00**  
1" Overlay



**1.25**  
1 1/4" Overlay

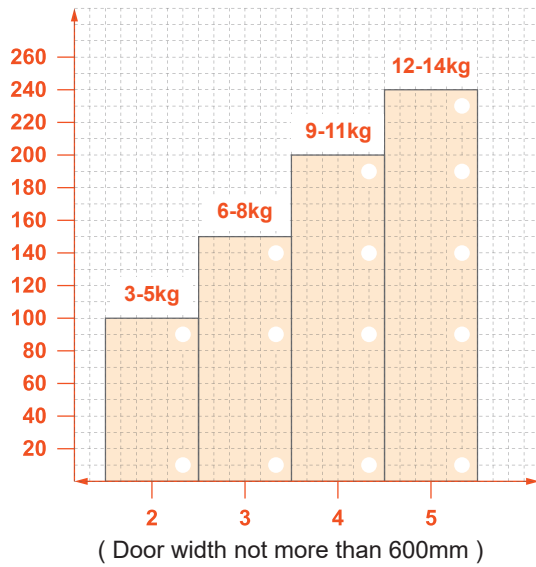


Size	Overlay
1/2"	12.7mm

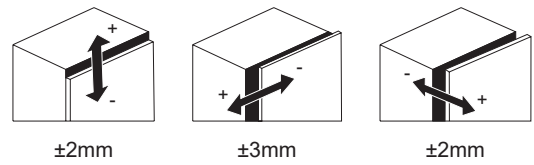
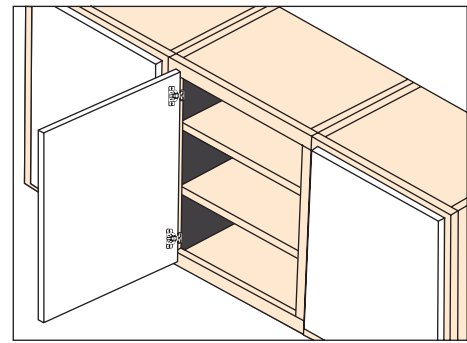
Size	Overlay
3/4"	19mm

Size	Overlay
1"	25.4mm

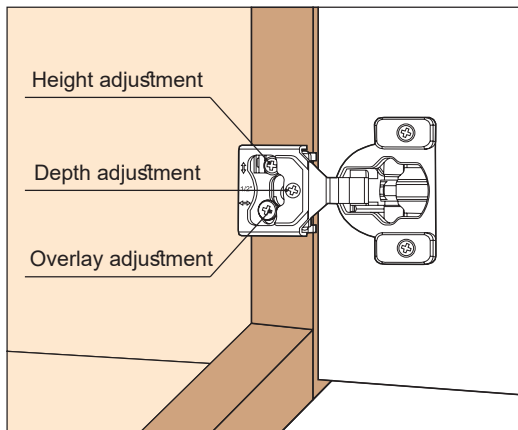
Size	Overlay
1 1/4"	31.8mm



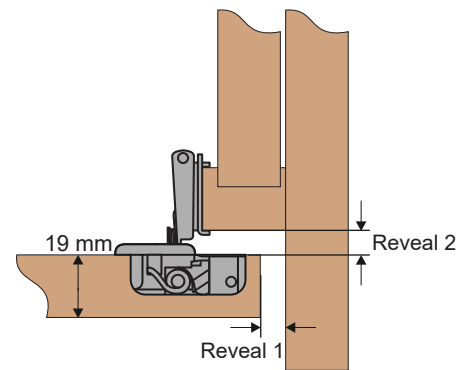
● Application



● 3D adjustments

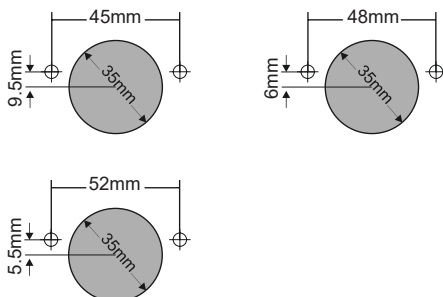


● Reveal



- 19 mm door, Min. reveal 1 = 7 mm (based on square edge doors)
- Reveal 2: Factory setting 5mm, adjusts +2mm, -1mm

● Dimension of hinge cup



● Alternative screw types

