




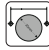



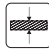


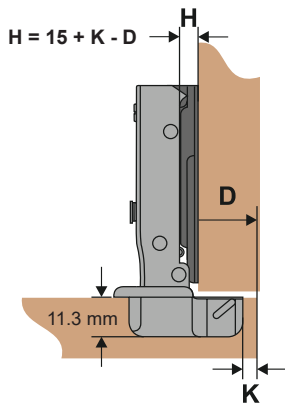


• **Basic spec**

-  Hydraulic buffer
-  Opening angle: 105 °
-  Diameter of hinge cup: 35mm
-  Height of hinge cup 11.3mm
-  Distance of door drilling: 3-7mm
-  Distance of cup holes center: 45mm, 48mm, 52mm
-  Door thickness: 14-21mm
-  Finishing: Nickel plated
-  Main material: Cold-rolled steel
-  Material thickness: 0.8 - 1.2 - 1.2 mm



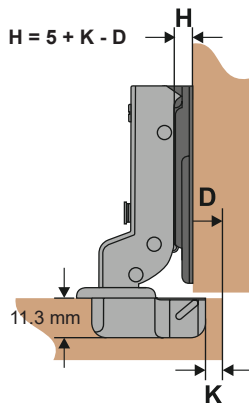
F
Full Overlay



D	H	K	3	4	5	6	7
0	H	K	18	19	20	21	22
2			16	17	18	19	20
4			14	15	16	17	18



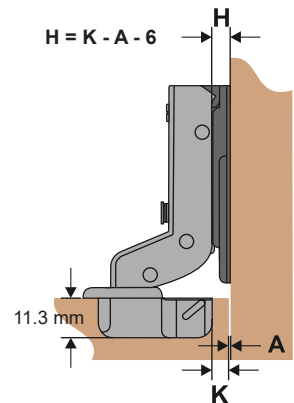
H
Half Overlay



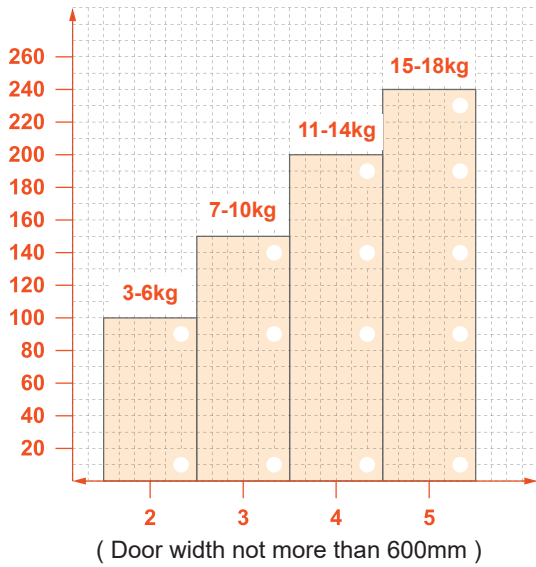
D	H	K	3	4	5	6	7
0	H	K	8	9	10	11	12
2			6	7	8	9	10
4			4	5	6	7	8



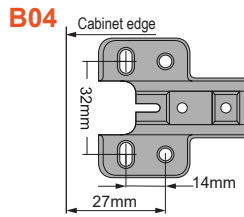
i
Inset



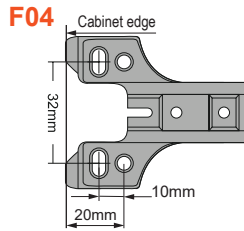
A	H	K	3	4	5	6	7
0	H	K	-3	-2	-1	0	1
2			-5	-4	-3	-2	-1
4			-7	-6	-5	-4	-3



● **Mounting-plate**

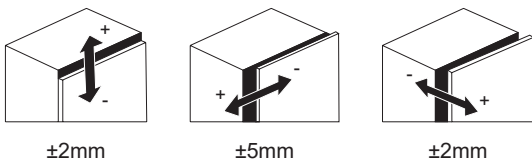
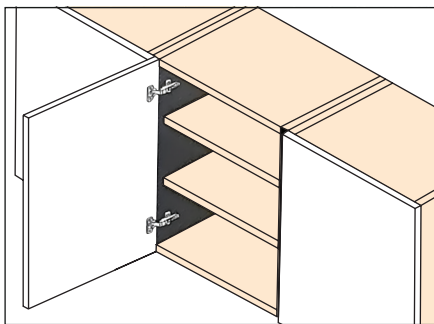


Hole Type	H Value	Type
Four holes	H=0 / 2 / 4	Fixed

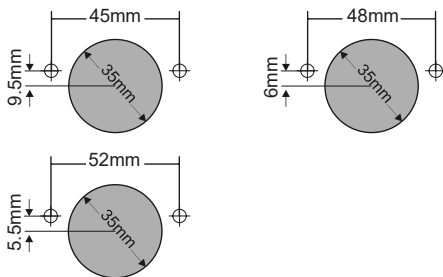


Hole Type	H Value	Type
Four holes	H=0 / 2 / 4	Fixed

● **Application**



● **Dimension of hinge cup**



● **Cup cover**

C.C



● **Arm cover**

A.C1



A.C2



● **Alternative screw types**

	D8 Dowel 8×10 mm		D10 Dowel 10×10 mm
	E Euro screw 6.3×14 mm		S Wood screw 4×16 mm