






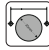



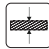
SOFT CLOSING ONE WAY HINGES

CLIP ON 26mm SOFT CLOSING ONE WAY HINGES

TCH-11304 SERIES



• Basic spec

-  Hydraulic buffer
-  Opening angle: 93 °
-  Diameter of hinge cup: 26mm
-  Height of hinge cup 10mm
-  Distance of door drilling: 3-7mm
-  Distance of cup holes center: 38mm
-  Door thickness: 12-20mm
-  Finishing: Nickel plated
-  Main material: Cold-rolled steel
-  Material thickness: 0.8 - 1.2 - 1.2 mm



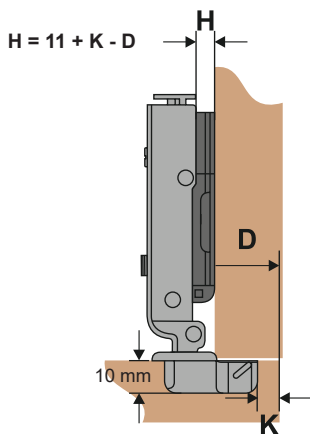
F
Full Overlay



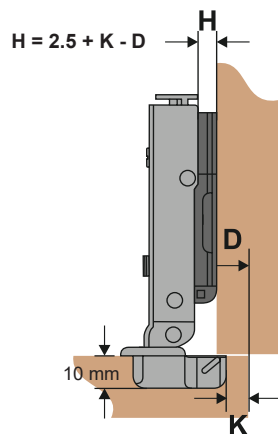
H
Half Overlay



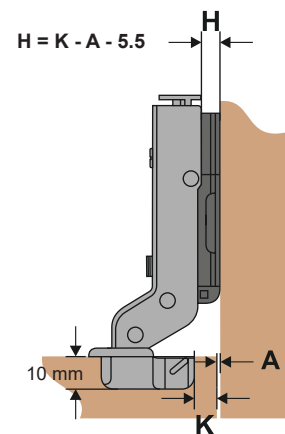
i
Inset



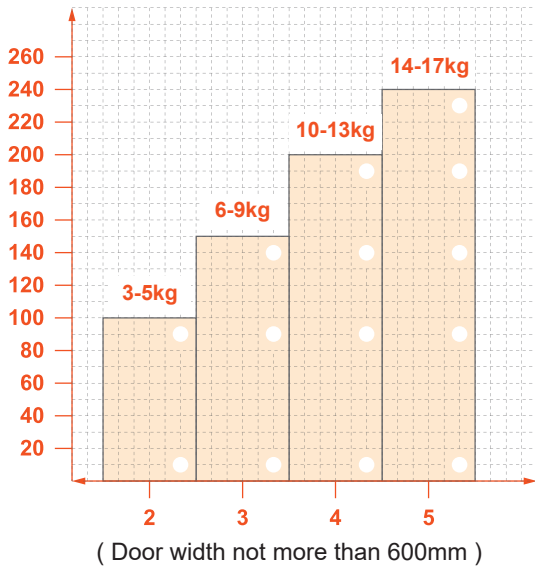
D	H	K	3	4	5	6	7
0			14	15	16	17	18
3			11	12	13	14	15
5			9	10	11	12	13



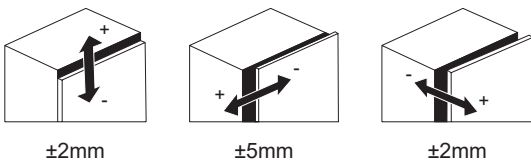
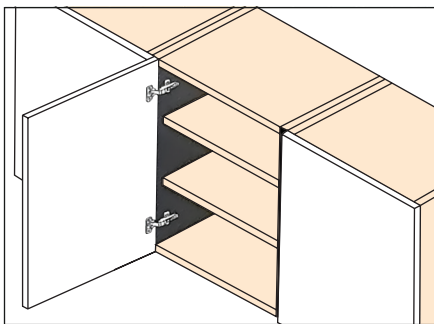
D	H	K	3	4	5	6	7
0			5.5	6.5	7.5	8.5	9.5
3			2.5	3.5	4.5	5.5	6.5
5			0.5	1.5	2.5	3.5	4.5



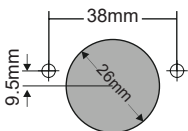
A	H	K	3	4	5	6	7
0			-2.5	-1.5	-0.5	0.5	1.5
3			-5.5	-4.5	-3.5	-2.5	-1.5
5			-7.5	-6.5	-5.5	-4.5	-3.5



● **Application**

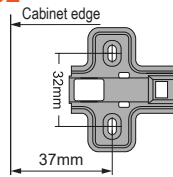


● **Dimension of hinge cup**



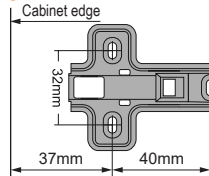
● **Mounting-plate**

B02



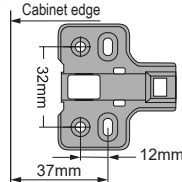
Hole Type	H Value	Type
Two holes	H=0 / 3 / 5	Clip on

B03



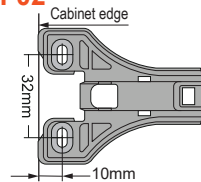
Hole Type	H Value	Type
Three holes	H=0 / 3 / 5	Clip on

B04



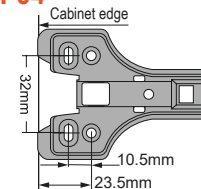
Hole Type	H Value	Type
Four holes	H=0 / 3 / 5	Clip on

F02



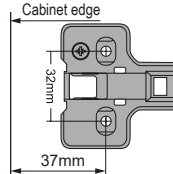
Hole Type	H Value	Type
Two holes	H=0 / 3 / 5	Clip on

F04



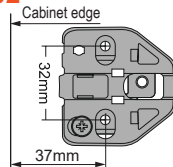
Hole Type	H Value	Type
Four holes	H=0 / 3 / 5	Clip on

D12



Hole Type	H Value	Type
Two holes	H=0 / 3 / 5	Clip on

D02



Hole Type	H Value	Type
Two holes	H=0 / 3 / 5	Clip on

● **Arm cover**

A.C1



A.C3



● **Alternative screw types**

