






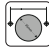



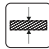
# SOFT CLOSING ONE WAY HINGES

## CLIP ON SOFT CLOSING ONE WAY S.S. HINGES

## TCH-11303 SERIES

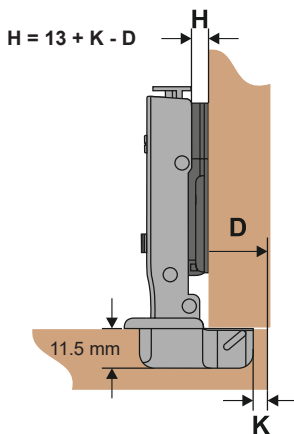


### • Basic spec

-  Hydraulic buffer
-  Opening angle: 105 °
-  Diameter of hinge cup: 35mm
-  Height of hinge cup 11.5mm
-  Distance of door drilling: 3-7mm
-  Distance of cup holes center: 45mm, 48mm, 52mm
-  Door thickness: 14-21mm
-  Finishing: Electrolysis
-  Main material: Stainless steel 304
-  Material thickness: 0.8 - 1.2 - 1.2 mm



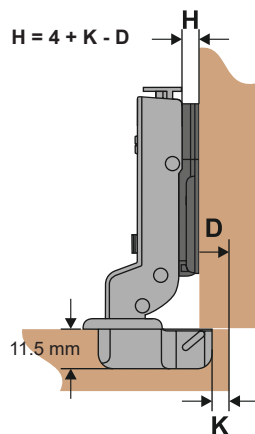
**F**  
Full Overlay



D	H	K	3	4	5	6	7
0	H	K	16	17	18	19	20
3			13	14	15	16	17
5			11	12	13	14	15



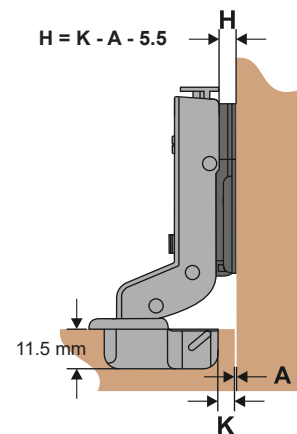
**H**  
Half Overlay



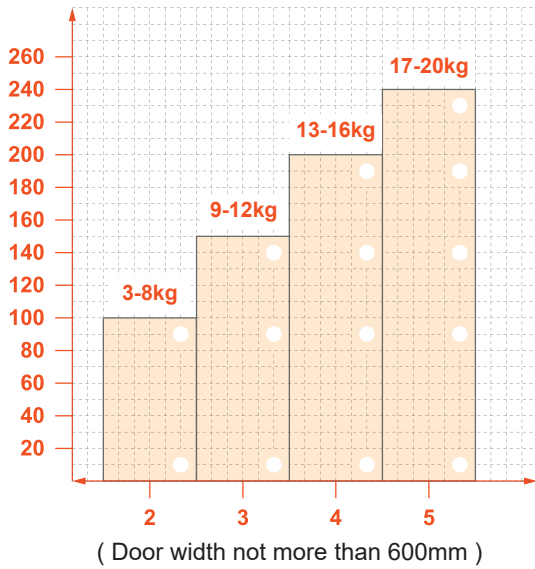
D	H	K	3	4	5	6	7
0	H	K	7	8	9	10	11
3			4	5	6	7	8
5			2	3	4	5	6



**i**  
Inset

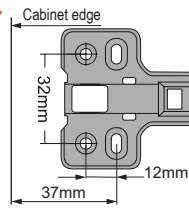


A	H	K	3	4	5	6	7
0	H	K	-2.5	-1.5	-0.5	0.5	1.5
3			-5.5	-4.5	-3.5	-2.5	-1.5
5			-7.5	-6.5	-5.5	-4.5	-3.5



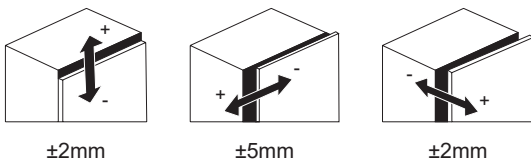
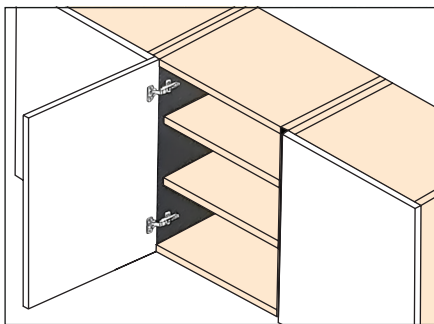
● **Mounting-plate**

**B04**

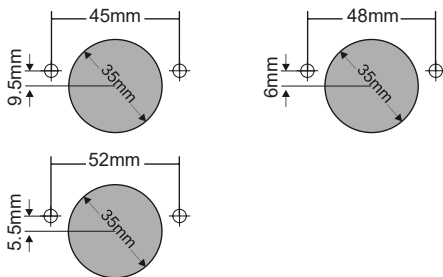


Hole Type	H Value	Type
Four holes	H=0 / 3 / 5	Clip on

● **Application**



● **Dimension of hinge cup**



● **Cup cover**

**C.CS**



● **Arm cover**

**A.CS1**



● **Alternative screw types**

	D8 Dowel 8×10 mm		S Wood screw 4×16 mm
--	------------------------	--	----------------------------