





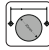



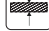
# TWO WAY HINGES

## LATCH TWO WAY 3D HINGES

## TCH-11207 SERIES

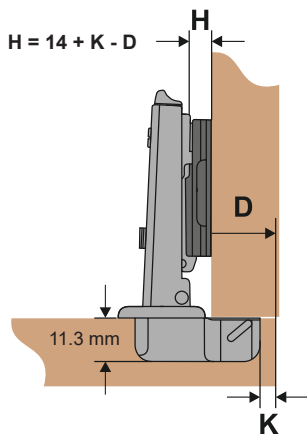


### • Basic spec

-  Opening angle: 110 °
-  Diameter of hinge cup: 35mm
-  Height of hinge cup 11.3mm
-  Distance of door drilling: 3-7mm
-  Distance of cup holes center: 45mm, 48mm, 52mm
-  Door thickness: 14-21mm
-  Finishing: Nickel plated
-  Main material: Cold-rolled steel
-  Material thickness: 0.8 - 1.2 - 1.2 mm



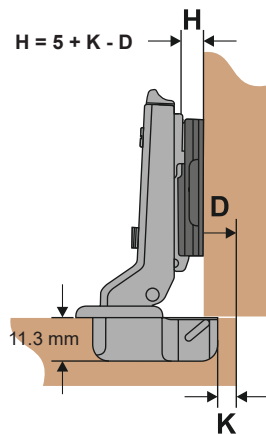
**F**  
Full Overlay



D	H	K	3	4	5	6	7
0	H	K	17	18	19	20	21
2			15	16	17	18	19
4			13	14	15	16	17



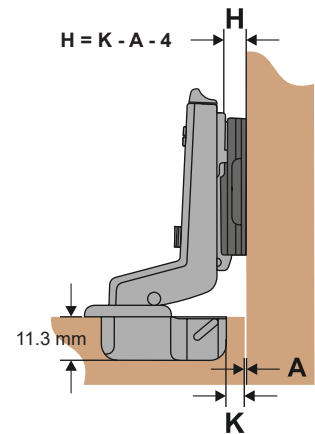
**H**  
Half Overlay



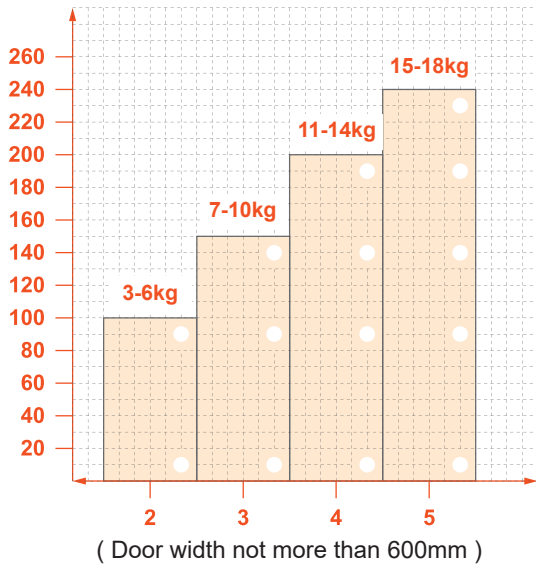
D	H	K	3	4	5	6	7
0	H	K	8	9	10	11	12
2			6	7	8	9	10
4			4	5	6	7	8



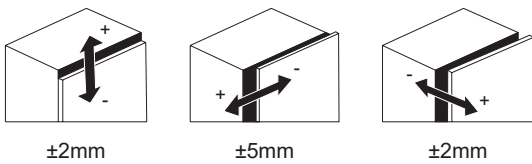
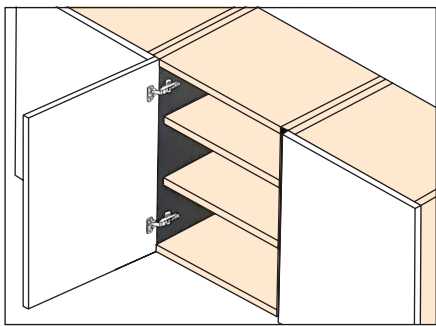
**i**  
Inset



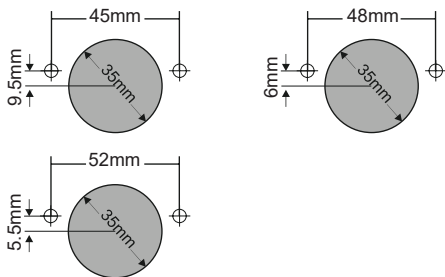
A	H	K	3	4	5	6	7
0	H	K	-1	0	1	2	3
2			-3	-2	-1	0	1
4			-5	-4	-3	-2	-1



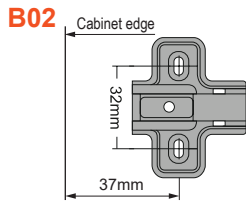
● **Application**



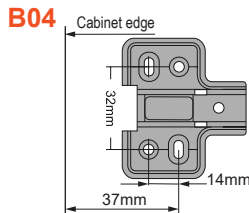
● **Dimension of hinge cup**



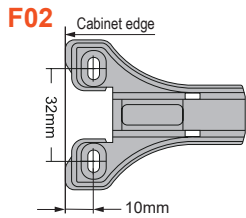
● **Mounting-plate**



Hole Type	H Value	Type
Two holes	H=0 / 2 / 4	Latch



Hole Type	H Value	Type
Four holes	H=0 / 2 / 4	Latch



Hole Type	H Value	Type
Two holes	H=0 / 2 / 4	Latch

● **Cup cover**

**C.C**



● **Arm cover**

**A.C1**



**A.C3**



● **Alternative screw types**

	D8 Dowel 8×10 mm		D10 Dowel 10×10 mm
	E Euro screw 6.3×14 mm		S Wood screw 4×16 mm