



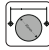



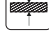


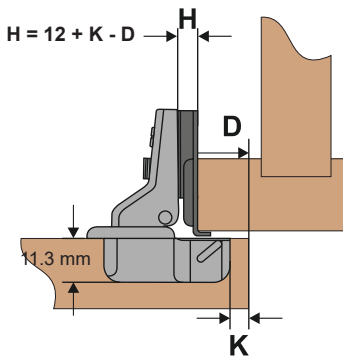


• **Basic spec**

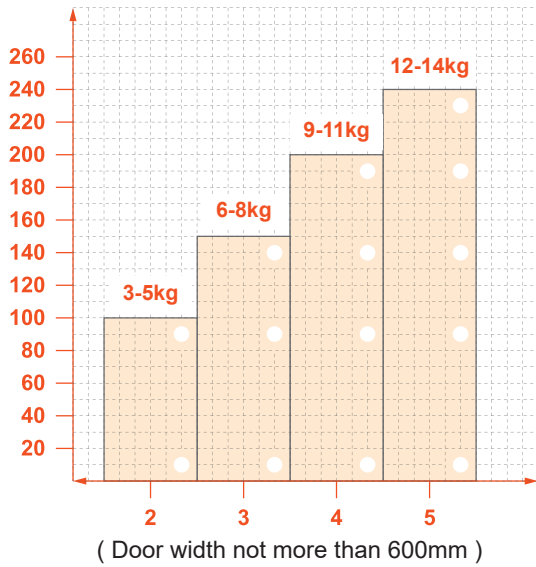
-  Opening angle: 105 °
 -  Diameter of hinge cup: 35mm
 -  Height of hinge cup 11.3mm
 -  Distance of door drilling: 3-7mm
-  Distance of cup holes center: 45mm, 48mm, 52mm
 -  Door thickness: 14-21mm
 -  Finishing: Nickel plated
 -  Main material: Cold-rolled steel
 -  Material thickness: 0.7 - 1.2 - 1.2 mm



F
Full Overlay

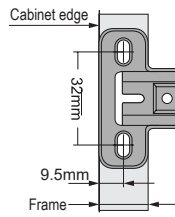


D	K	3	4	5	6	7
0	H	17	18	19	20	21
2		15	16	17	18	19
4		13	14	15	16	17



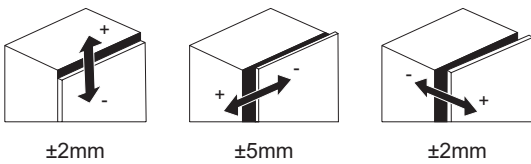
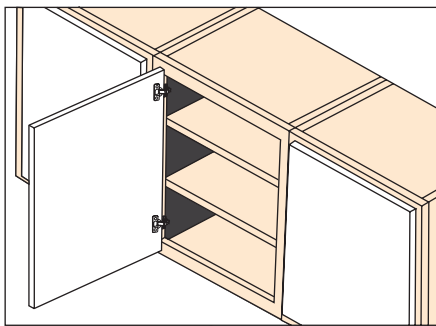
● **Mounting-plate**

B02

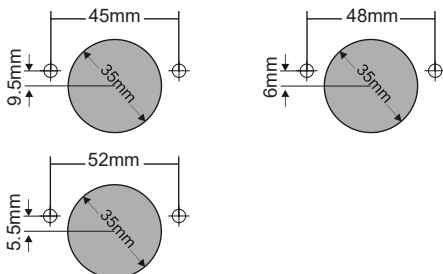


Hole Type	H Value	Type
Two holes	H=0 / 2 / 4	Slide on

● **Application**



● **Dimension of hinge cup**



● **Cup cover**

C.C



● **Alternative screw types**

	D8 Dowel 8×10 mm		D10 Dowel 10×10 mm
	E Euro screw 6.3×14 mm		S Wood screw 4×16 mm