







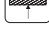


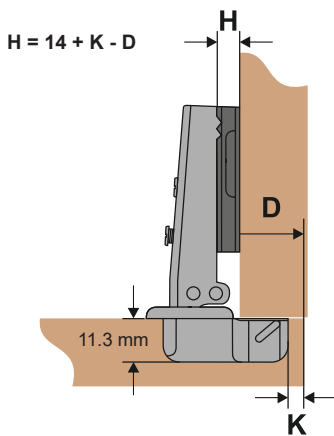


• **Basic spec**

-  Opening angle: 105 °
-  Diameter of hinge cup: 35mm
-  Height of hinge cup 11.3mm
-  Distance of door drilling: 3-7mm
-  Distance of cup holes center: 45mm, 48mm, 52mm
-  Door thickness: 14-21mm
-  Finishing: Nickel plated
-  Main material: Cold-rolled steel
-  Material thickness: 0.7 - 1.0 - 0.9 mm



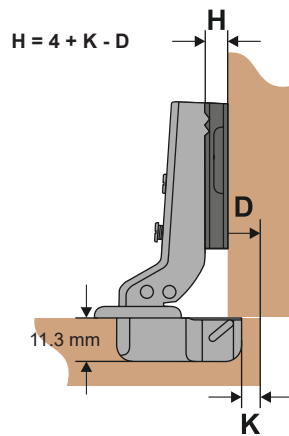
**F**  
Full Overlay



D	K	3	4	5	6	7
0	H	17	18	19	20	21
2	H	15	16	17	18	19
4	H	13	14	15	16	17



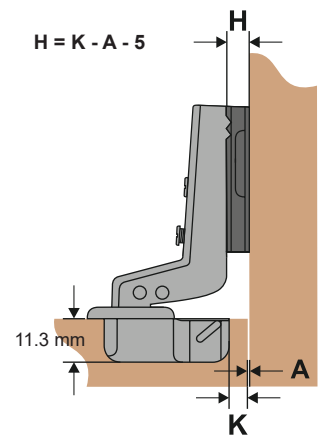
**H**  
Half Overlay



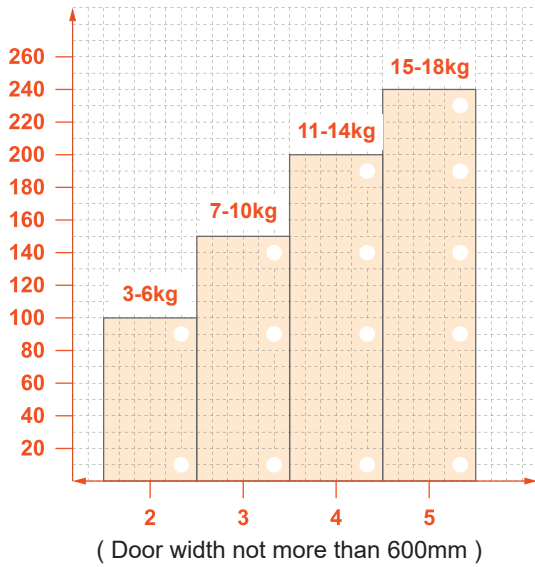
D	K	3	4	5	6	7
0	H	7	8	9	10	11
2	H	5	6	7	8	9
4	H	3	4	5	6	7



**i**  
Inset

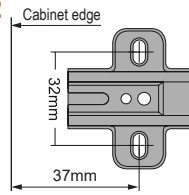


A	K	3	4	5	6	7
0	H	-2	-1	0	1	2
2	H	-4	-3	-2	-1	0
4	H	-6	-5	-4	-3	-2



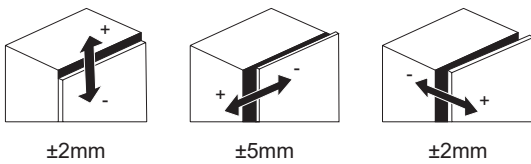
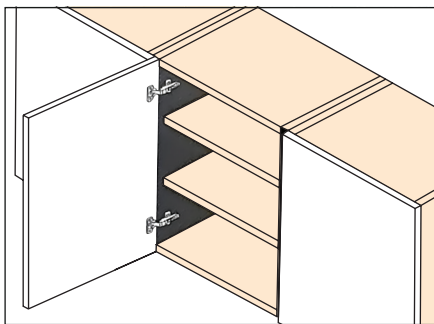
● **Mounting-plate**

**B02**

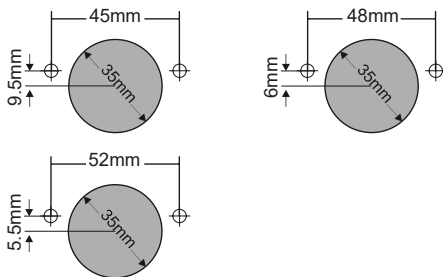


Hole Type	H Value	Type
Two holes	H=0 / 2 / 4	Key hole

● **Application**



● **Dimension of hinge cup**



● **Cup cover**

**C.C**



● **Alternative screw types**

