

CABINET DOORS LID STAY

HEAVY DUTY LID STAY 9 KG

TCH-313014 SERIES



• Basic spec

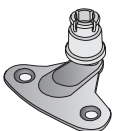
- Cabinet internal depth : Min. 150 mm
- Cabinet internal height : Min. 300 mm
- Door height : Max. 600 mm
- Door weight : 6 - 9 kgs
- Edge distance : 37 mm
- Arms material : Zinc alloy
- Brackets material : Cold-rolled steel
- Finishing : Nickel plated
- Mounting : Could be installed for both sides (left & right) hand use
- Installation : Wood screws
- Supplied with : Lid stay, Wood screws, mounting brackets, Allen key and Instruction manual



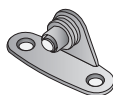
Force adjustment



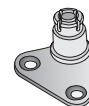
• Brackets



Fixing bracket for 37mm standard drilling.



Fixing bracket for wooden and wide frame doors with push-on clip.



Fixing bracket for 20mm aluminum frame door, push-on clip.

• Opening angle and max weight

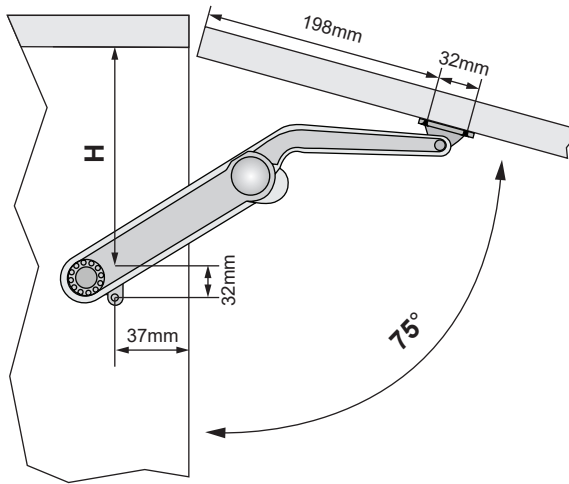
Opening angle	75°	90°	110°
Door Max weight	12KG	9KG	6KG

• How to choose the right lid stay

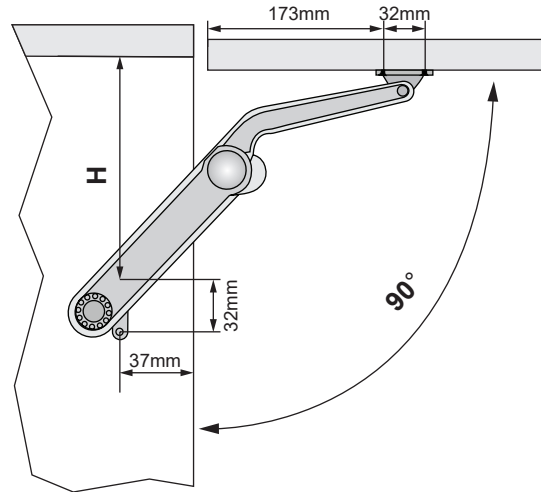
Choosing the right lid stay for you depends on three factors: the intended opening angle, door size, and door weight (including accessories). Keep in mind that using two lid stays per door increases the door weight options for you.

• **Installation**

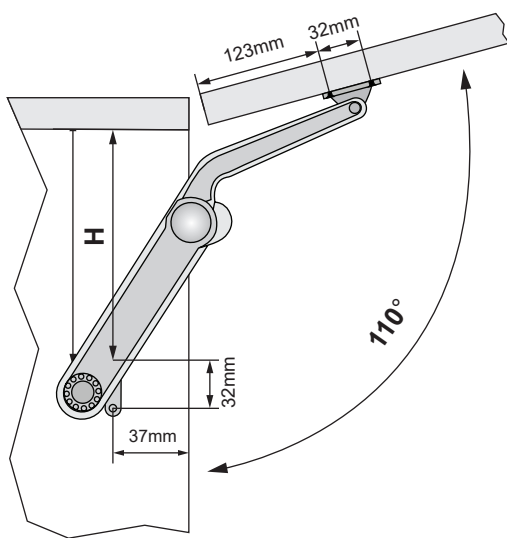
Opening angle 75°



Opening angle 90°



Opening angle 110°

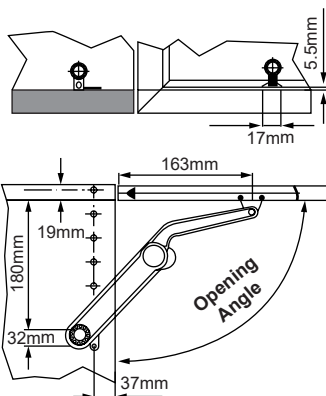


- The maximum opening angle is 110°
- This lid stay can be configured to three opening angel settings: 75, 90 and 110 degrees. The respective installing position may differ depending on the type of hinge and frame thickness used.

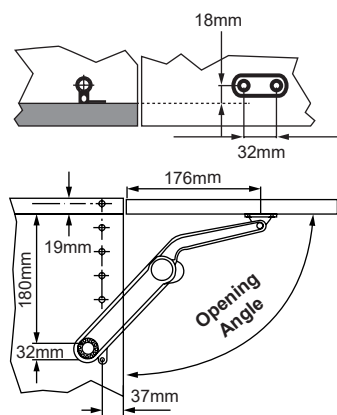
H	Opening	75°	90°	110°
		212mm	180mm	180mm
		221mm	189mm	189mm
		230mm	198mm	198mm

- Holding power configuration and functioning must be tested individually.
- For door width of 800mm-1200mm we recommend the use of two lid stays to ensure a synchronized opening.
- The lid stay is pre-adjusted to its minimum holding power, the ideal functioning for each individual user must be achieved by final adjustment of the set screw.

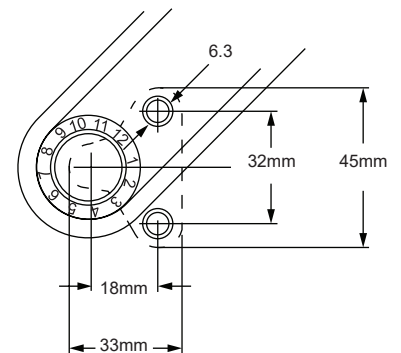
• **Specification**



Wooden door mounting



Aluminum door mounting



Mounting Brackets (Required)