

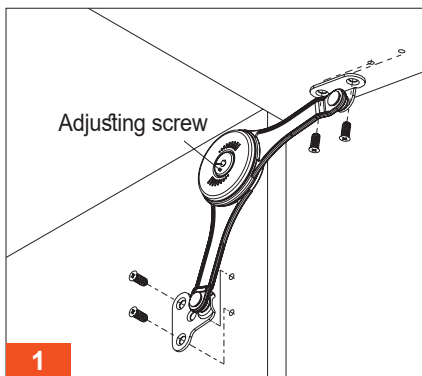


• Basic spec

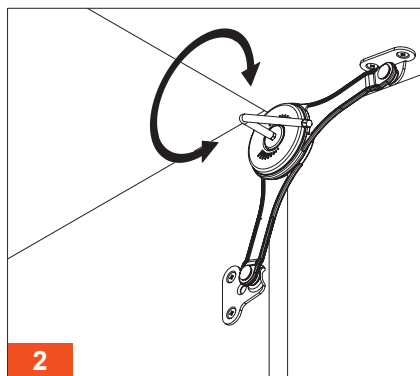
- Cabinet internal depth : Min. 150 mm
- Cabinet internal height : Min. 255 mm
- Edge distance : 37 mm
- Opening angle : 75°, 90° or 110°
- Arms material : Zinc alloy
- Brackets material : Cold - rolled steel
- Finishing : Nickel plated
- Mounting : Could be installed for one side (left or right)
- Installation : Wood screws
- Supplied with : Lid stay, Wood screws, Allen key and Instruction manual



• Installation

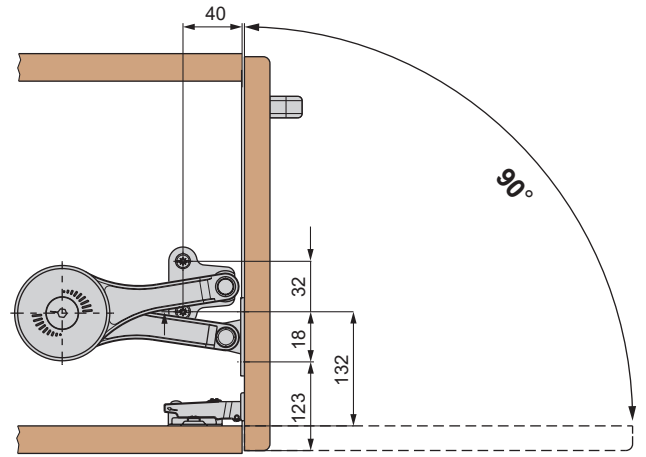
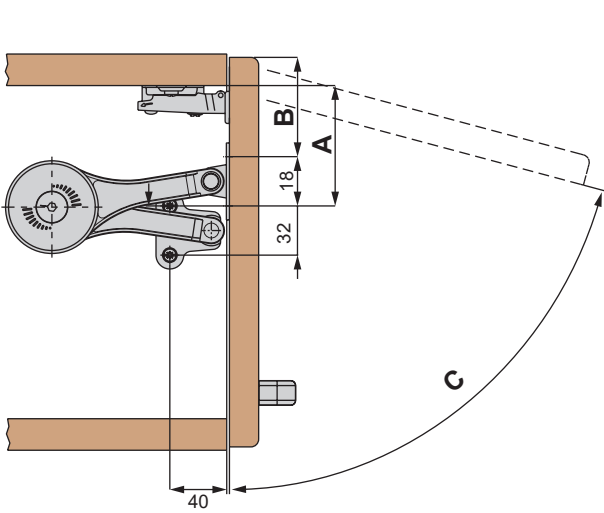


Fix always the brake leaving the adjusting screw always inside the cabinet.

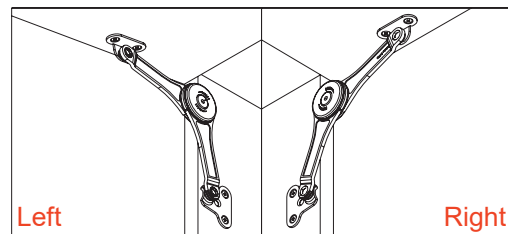
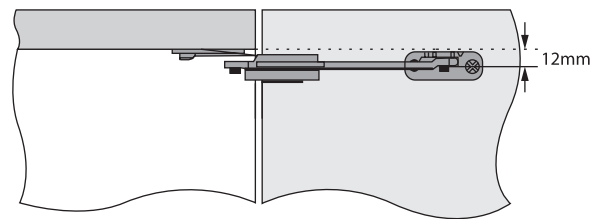


Adjust with allen key friction force according to flap door according to flap door dimension and weight using the adjusting screw.

• **Specification**

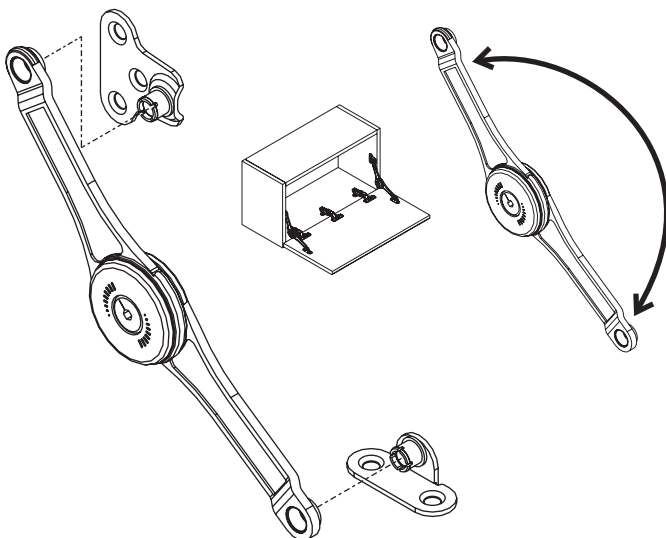


Maximum opening angle C	Size (A)	Size (B)
75°	164mm	126mm
90°	132mm	119mm
105°	132mm	87mm



• **Uses**

Brake in opening



Brake in closing

