

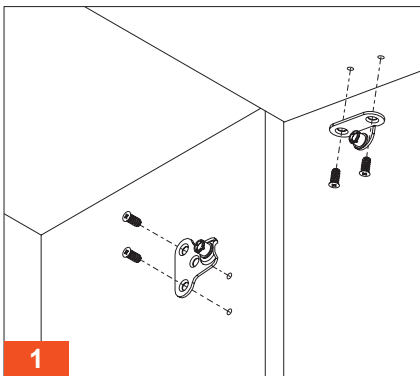


• Basic spec

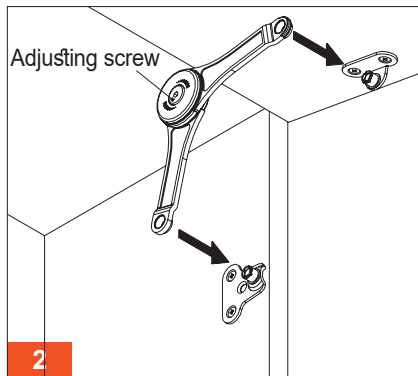
- Cabinet internal depth : Min. 150 mm
- Cabinet internal height : Min. 255 mm
- Edge distance : 40 mm
- Opening angle : 75°, 90° or 110°
- Arms material : Zinc alloy
- Brackets material : Cold - rolled steel
- Finishing : Nickel plated
- Mounting : Could be installed for both sides (left & right) hand use
- Installation : Wood screws
- Supplied with : Lid stay, mounting brackets, Wood screws, Allen key and Instruction manual



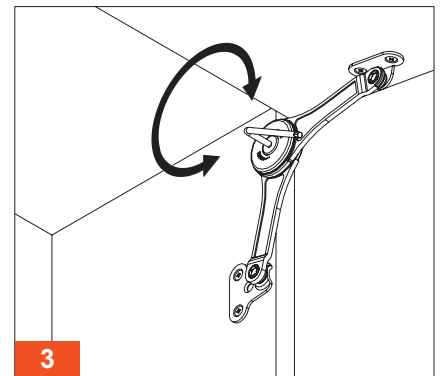
• Installation



1 Screw on fixing brackets to cabinet and flap.

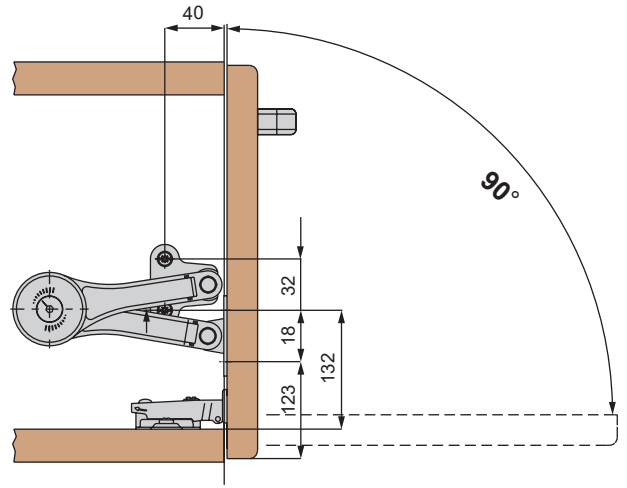
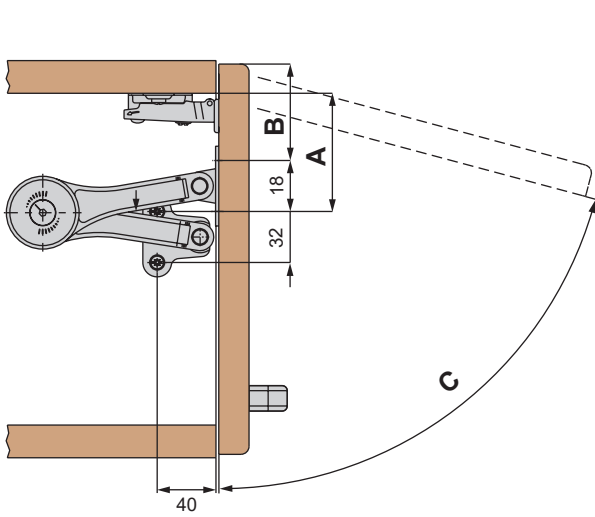


2 Click on free stop lid stay on fixing brackets to mount it leaving the adjusting screw always inside the cabinet.

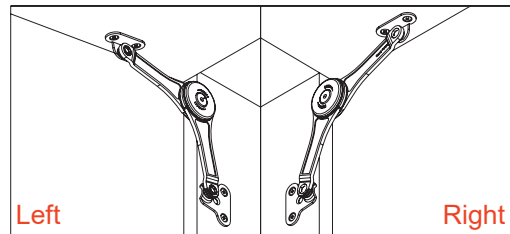
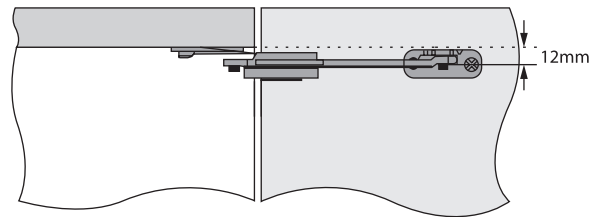


3 Adjust with allen key friction force according to flap door according to flap door dimension and weight using the adjusting screw.

• **Specification**

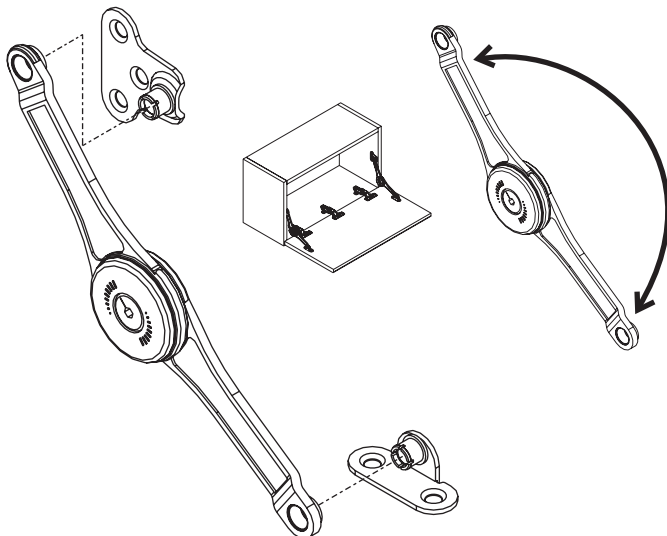


Maximum opening angle C	Size (A)	Size (B)
75°	164mm	132mm
90°	132mm	123mm
110°	132mm	89mm



• **Uses**

Brake in opening



Brake in closing

