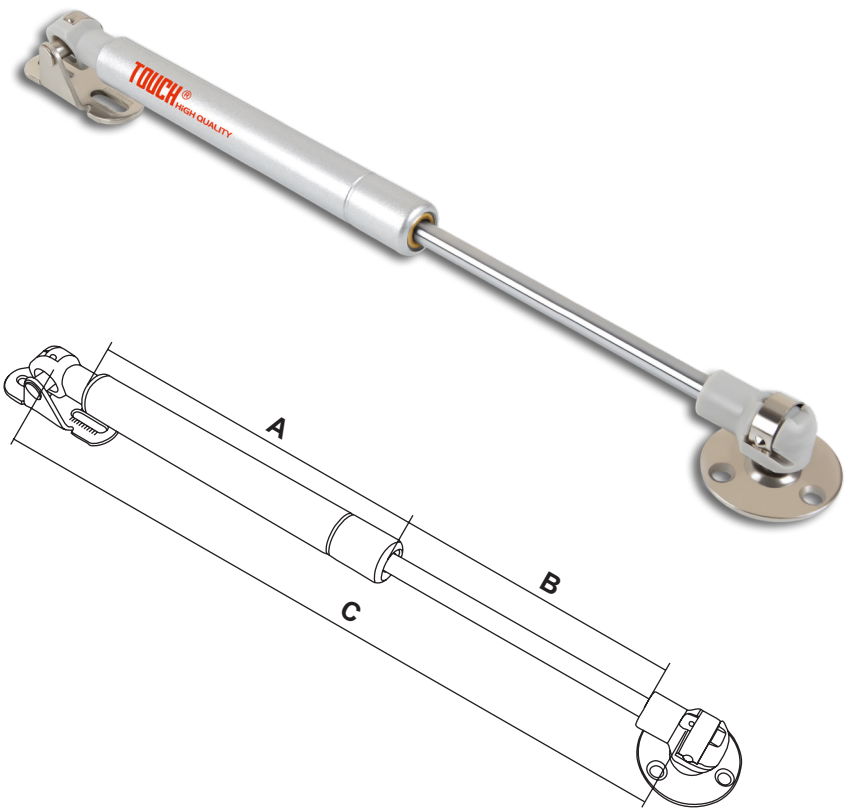
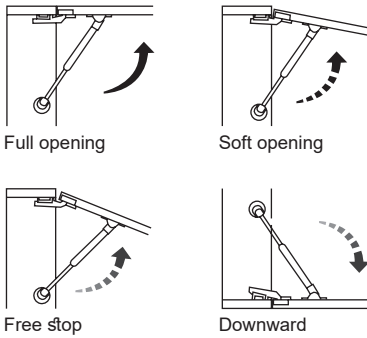




• **Basic spec**

- Side installation
- Length : 158 mm - 280 mm
- Pressure : 50 N - 250 N
- Function : Full opening, two way, free stop and downward
- Finishing : Electroplating / spraying
- Material : Cold-rolled steel
- Copper ring

• **Function**



• **Optional accessories**



**Jacket**

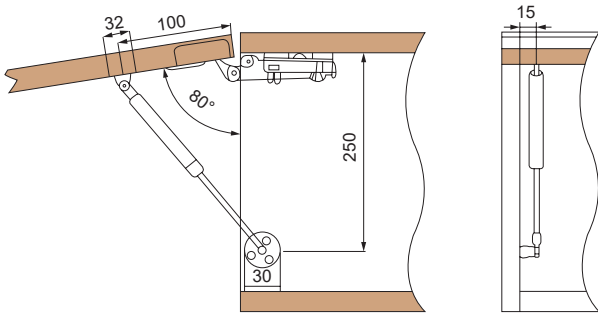
• **Optional color**



• **Optional size**

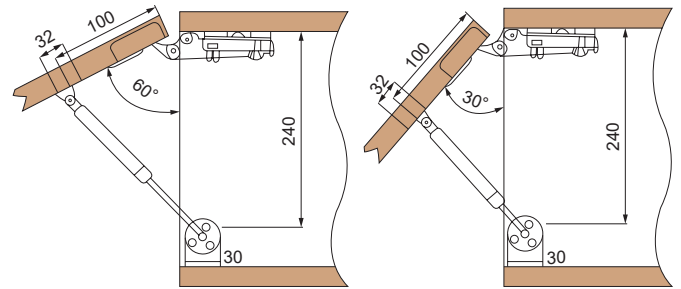
Length	A	B	C
6" 158mm	76mm	43mm	155mm
8" 178mm	88mm	54mm	180mm
10" 245mm	122mm	87mm	245mm
12" 280mm	140mm	104mm	295mm

• **Product ID and usage**



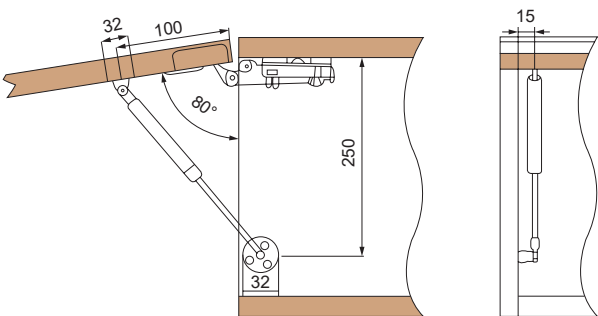
**Model : FL**  
**Full opening**

Uses: Hydraulic support for cabinet doors.  
Force Options: 50N-250N  
Application: Gives a steady rate upward full opening for wooden or aluminum cabinet doors.



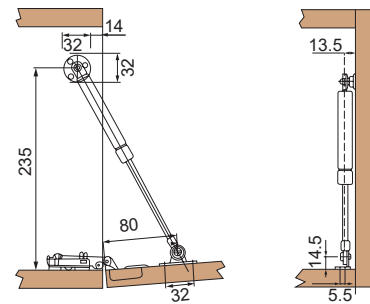
**Model : FR**  
**Free stop**

Uses: Hydraulic support for cabinet doors (Free stop).  
Force Options: 50N-150N  
Application: Can support and hold the wooden or aluminum cabinet door at any angle between 30 and 90 degrees.



**Model : SF**  
**Soft opening**

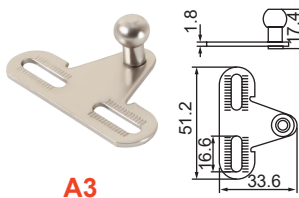
Uses: Hydraulic flip support  
Force Options: 50N-150N  
Application: Gives a steady rate upward full lift for wooden or aluminum cabinet doors with soft opening between 60 and 90 degrees.



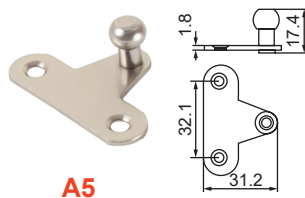
**Model : DW**  
**Downward**

Uses: Hydraulic downward support  
Application: Gives a steady rate downward full opening for wooden or aluminum cabinet doors.

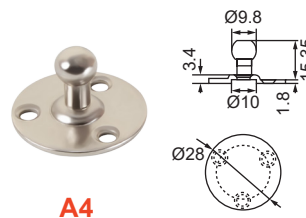
• **Optional brackets**



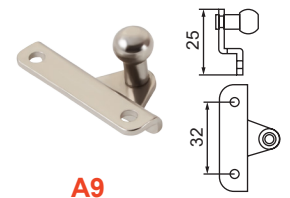
**A3**



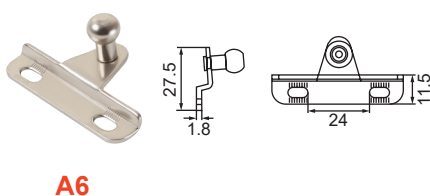
**A5**



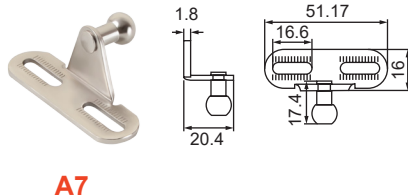
**A4**



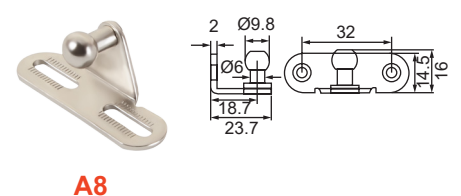
**A9**



**A6**



**A7**



**A8**