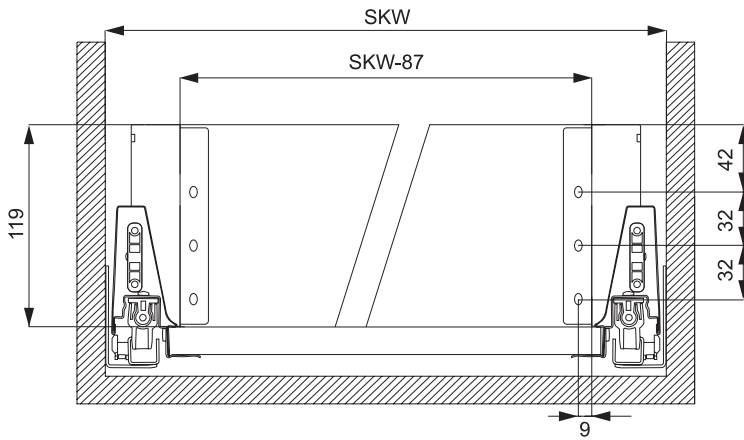


**• Basic spec**

- Invisible
- Length : 300mm - 550mm
- height : 228mm
- Thickness of bottom & back panels : 16mm
- Drawer adjustment : Up & Down  $\pm 2$ mm, left and right  $\pm 1.5$ mm
- Finishing of slides : Galvanized steel
- Finishing of boards : Various colors
- Material : 1.0 - 1.5 - 1.8 mm cold-rolled steel
- Loading : 35 kg / 18"
- Smooth and silent movement
- Soft closing

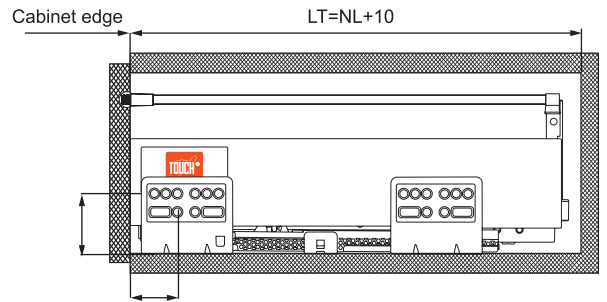
• **Space required**

SKW : Internal cabinet width



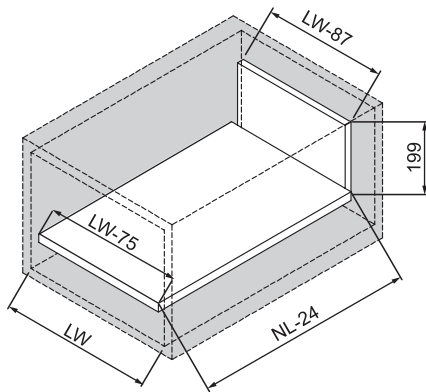
• **Installation size**

LT : Internal cabinet depth  
NL : Normal size

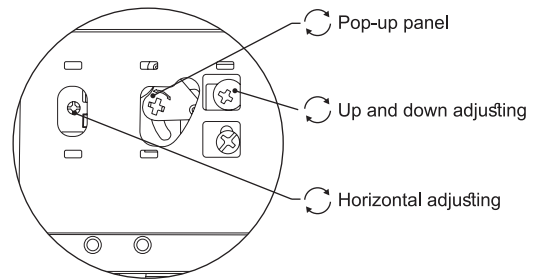


• **Drawer board dimensions**

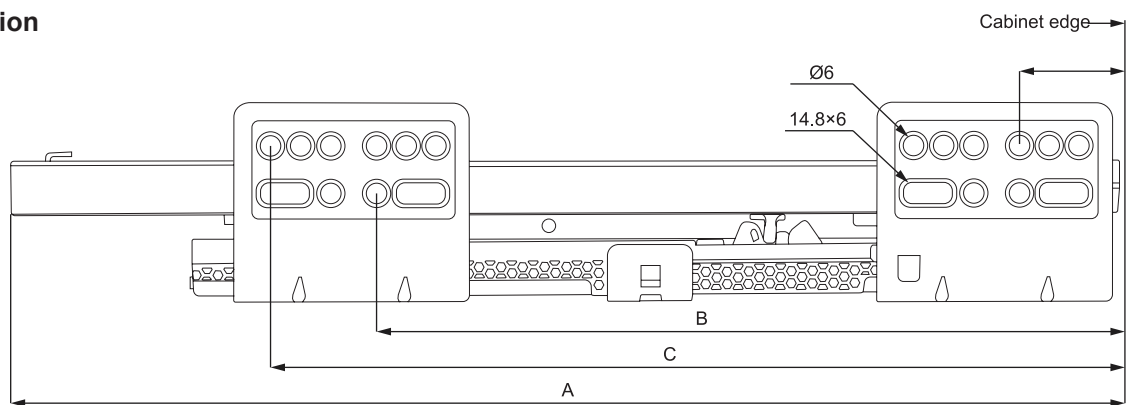
LW : Internal cabinet width  
NL : Normal size



• **Adjustment mechanism**



• **Specification**



| Item No.     | Size      | Extension length | A   | B   | C   |
|--------------|-----------|------------------|-----|-----|-----|
| TCH-25201300 | 12" 300mm | 284              | 300 | 192 | 224 |
| TCH-25201350 | 14" 350mm | 334              | 350 | 192 | 224 |
| TCH-25201400 | 16" 400mm | 384              | 400 | 256 | 288 |
| TCH-25201450 | 18" 450mm | 434              | 450 | 288 | 320 |
| TCH-25201500 | 20" 500mm | 484              | 500 | 352 | 384 |
| TCH-25201550 | 22" 550mm | 534              | 550 | 384 | 416 |