

SOFT CLOSING UNDER MOUNT SLIDES

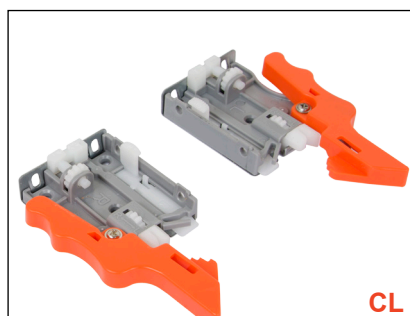
CLIP ON SOFT CLOSING UNDER MOUNT SLIDES

TCH-23103 SERIES



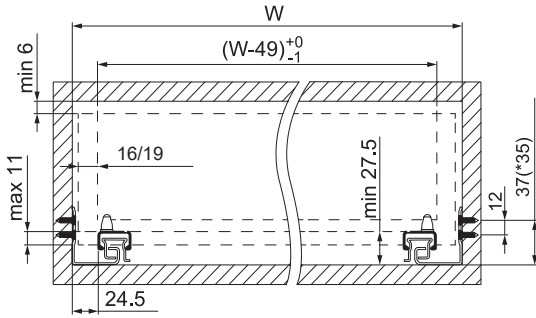
• Basic spec

- Concealed
- Frameless
- Length : 250mm - 600mm
- Side panels thickness : 16mm/19mm
- Drawer adjustment : 3D for 0 - 2 mm
- Clip device : Free quick installation
- Finishing : Galvanized steel
- Material : 1.0 - 1.5 - 1.8 mm cold-rolled steel
- Loading : 35 kg 18"
- Smooth and silent movement
- Soft closing



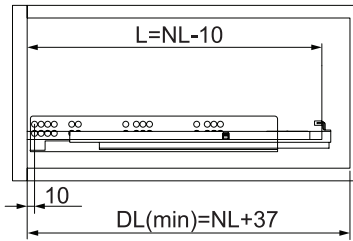
● **Space required**

W : The width of inner drawer



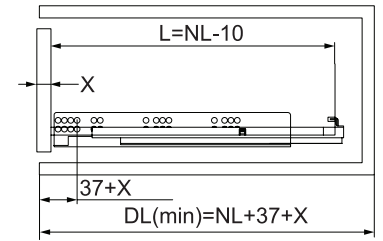
● **Standard drawer**

L : Drawer length
DL : Internal cabinet depth
NL : Assembling dimensions length

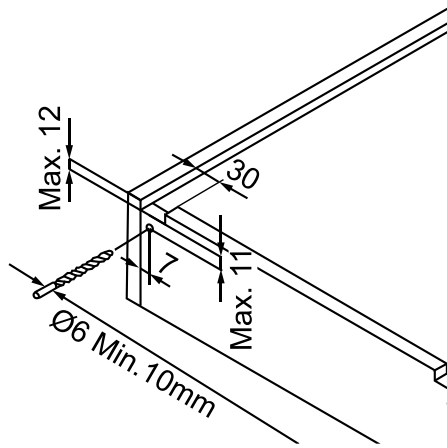


● **Inner drawer**

L : Drawer length
DL : Internal cabinet depth
NL : Assembling dimensions length
X : The drawer board thickness

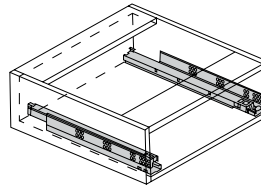


● **Hole size on rear panel of the drawer**

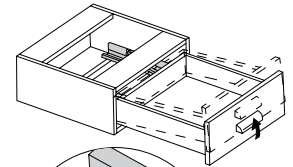


● **Installation instruction**

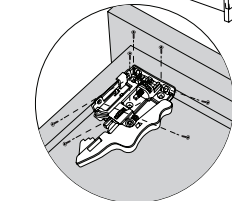
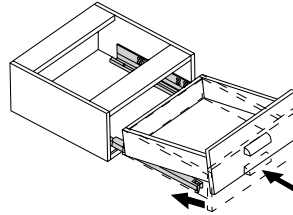
● Installation of the slides



● Removal of the drawer

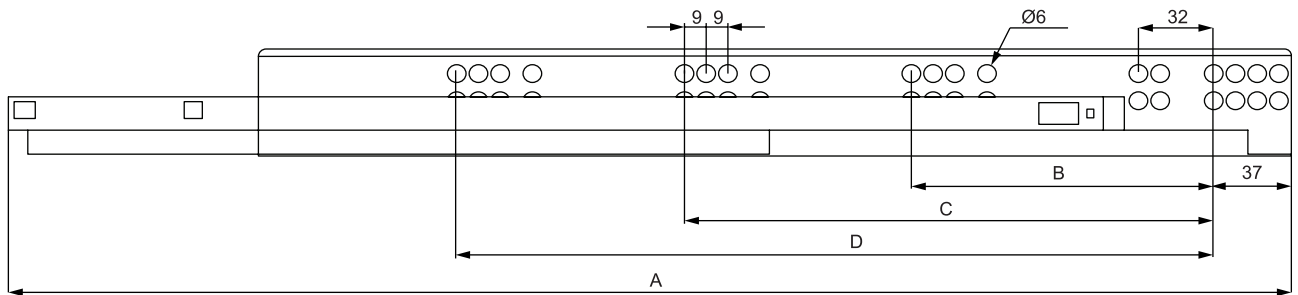


● Installation of the drawer and adjustment



Press the clip device with your hands softly in the direction of the arrow, then remove the drawer

● **Specification**



Item No.	Size	Extension length	A	B	C	D
TCH-23101250	10" 250mm	229	240	128	--	--
TCH-23101300	12" 300mm	279	290	128	--	--
TCH-23101350	14" 350mm	329	340	128	224	--
TCH-23101400	16" 400mm	379	390	128	224	--
TCH-23101450	18" 450mm	429	440	128	224	--
TCH-23101500	20" 500mm	479	490	128	224	23
TCH-23101550	22" 550mm	529	540	128	224	23
TCH-23101600	24" 600mm	579	590	128	224	23