

SOFT CLOSING BALL BEARING SLIDES

SOFT CLOSING BALL BEARING SLIDES 45mm

TCH-22201 SERIES



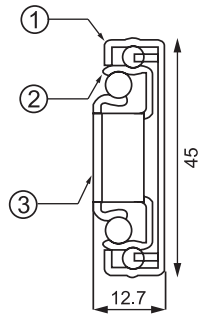
• Basic spec

- Side mounted
- Length : 250mm - 600mm
- Height of slide : 45mm
- Slide space : 12.7mm each side
- Slide space adjustment : ± 0.5 mm
- Finishing : Nickel plated
- Material : 1.2 - 1.2 - 1.5 mm cold-rolled steel
- Loading : 35 kg / 18"
- Smooth and silent movement
- Soft closing

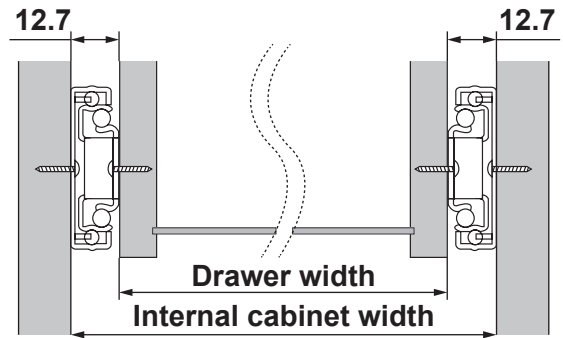


• Material

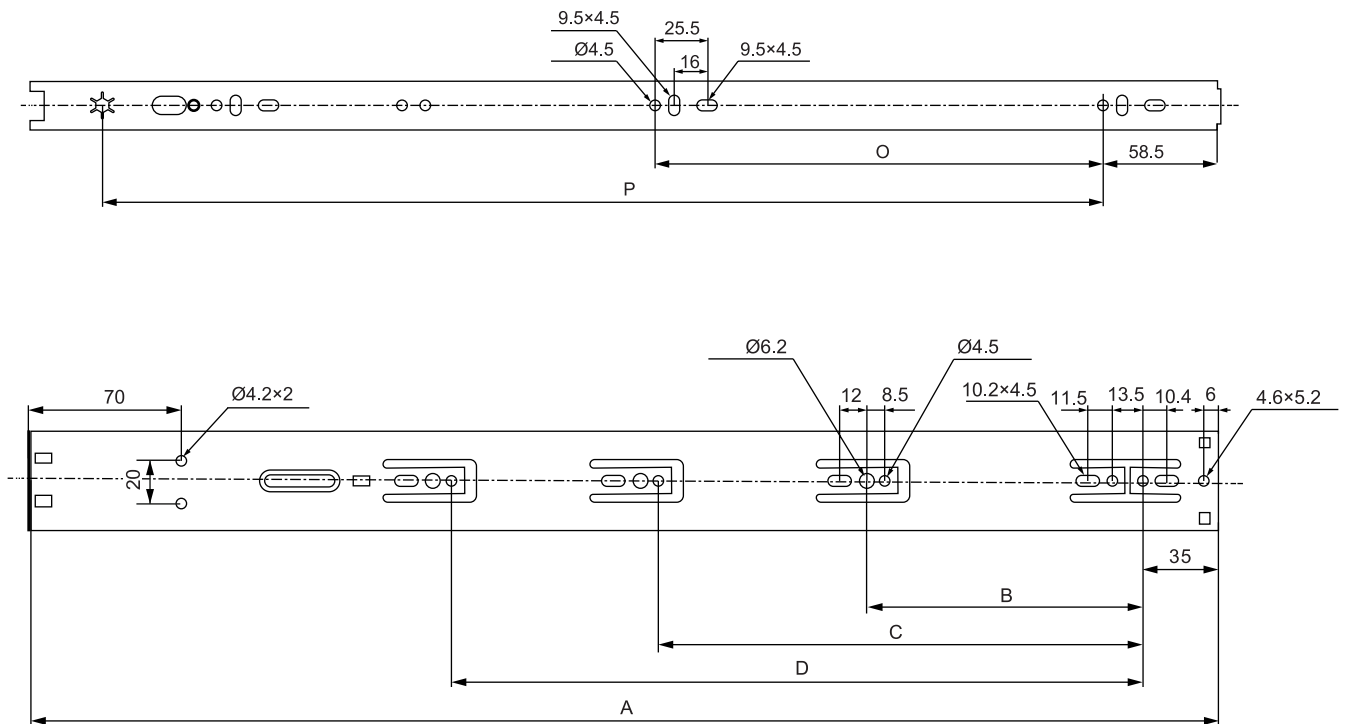
NO.	Thickness
1	1.2 mm
2	1.2 mm
3	1.5 mm



• Space required



• Specification



Item No.	Size	Extension length	A	B	C	D	O	P
TCH-22201250	10" 250mm	147	250	--	--	--	--	140.5
TCH-22201300	12" 300mm	248	300	96	--	--	64	190.5
TCH-22201350	14" 350mm	315	350	72.5	128	--	96	240.5
TCH-22201400	16" 400mm	380	400	128	183.5	--	128	290.5
TCH-22201450	18" 450mm	446	450	128	224	--	160	340.5
TCH-22201500	20" 500mm	496	500	128	224	288	192	390.5
TCH-22201550	22" 550mm	546	550	128	224	320	192	440.5
TCH-22201600	24" 600mm	596	600	128	224	352	224	490.5