

BALL BEARING SLIDES

FULL EXTENSION BALL BEARING SLIDES 45mm

TCH-22102 SERIES



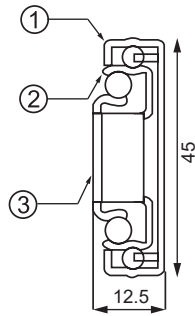
• Basic spec

- Side mounted
- Length : 250mm - 900mm
- Height of slide : 45mm
- Slide space : 12.5mm each side
- Slide space adjustment : ± 0.5 mm
- Finishing : Nickel plated
- Material : 1.2 - 1.2 - 1.4 mm cold-rolled steel
- Full extension
- Loading : 45 kg / 18"
- Smooth and silent movement
- End stopper

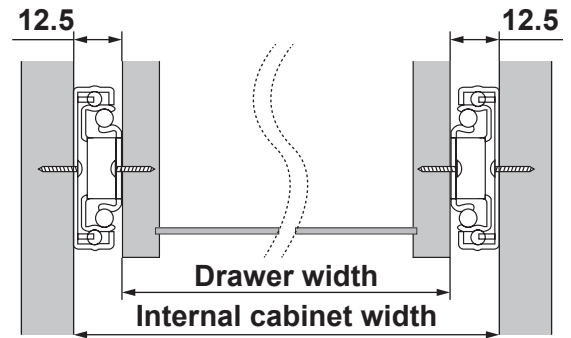


● **Material**

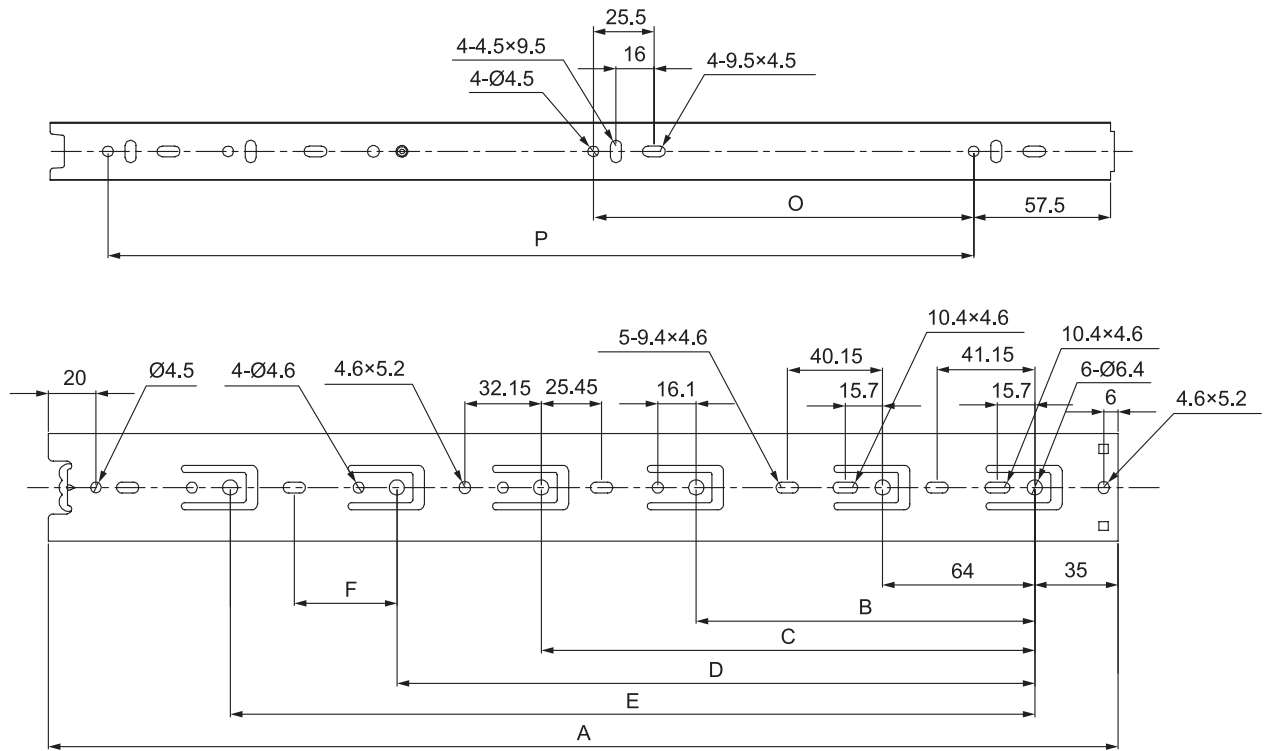
NO.	Thickness
1	1.2 mm
2	1.2 mm
3	1.4 mm



● **Space required**



● **Specification**



Item No.	Size	Extension length	A	B	C	D	E	F	O	P
TCH-22102250	10" 250mm	253	250	148	--	--	--	--	--	--
TCH-22102300	12" 300mm	304	300	224	--	--	--	--	96	224
TCH-22102350	14" 350mm	355	350	--	--	224	--	50	128	256
TCH-22102400	16" 400mm	405	400	224	--	288	--	--	160	320
TCH-22102450	18" 450mm	458	450	224	352	--	--	--	160	352
TCH-22102500	20" 500mm	507	500	224	352	416	--	--	192	416
TCH-22102550	22" 550mm	558	550	224	352	416	--	50	224	448
TCH-22102600	24" 600mm	609	600	224	352	480	--	50	256	512