

## BALL BEARING SLIDES

FULL EXTENSION BALL BEARING SLIDES 43mm

TCH-22101 SERIES

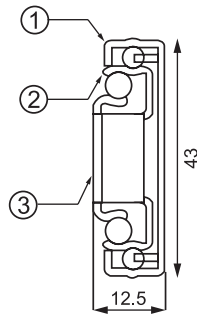


### ● Basic spec

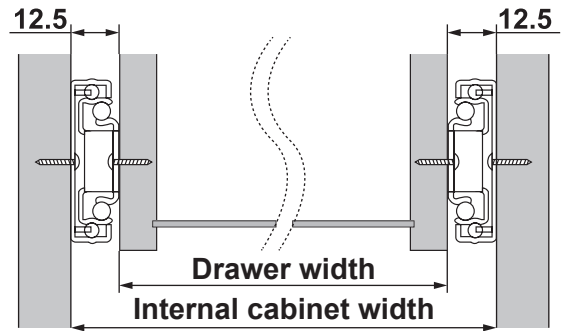
- Side mounted
- Length : 250mm - 900mm
- Height of slide : 43mm
- Slide space : 12.5mm each side
- Slide space adjustment :  $\pm 0.5$ mm
- Finishing : Nickel plated
- Material : 1.0 - 1.0 - 1.2 mm cold-rolled steel
- Full extension
- Loading : 35 kg / 18"
- Smooth and silent movement
- End stopper

• Material

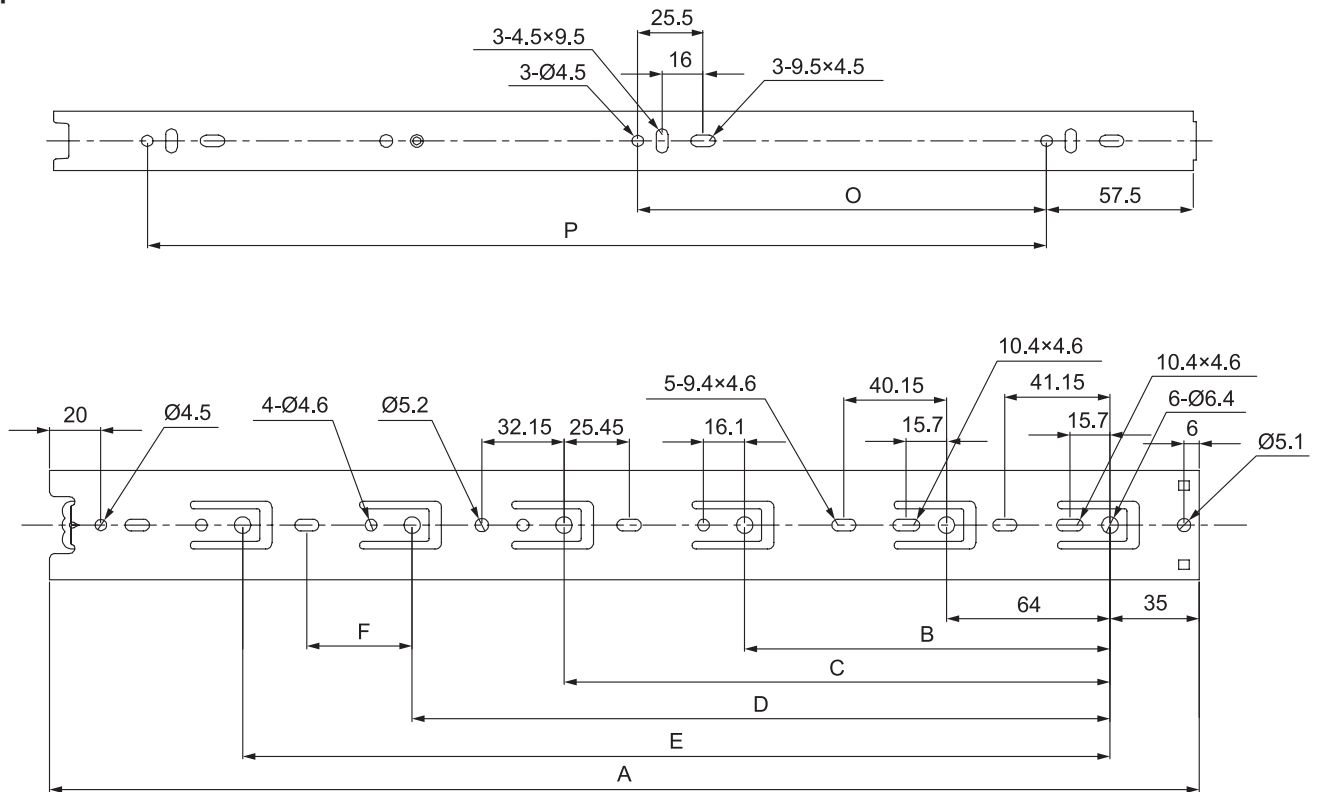
NO.	Thickness
1	1 mm
2	1 mm
3	1.2 mm



• Space required



• Specification



Item No.	Size	Extension length	A	B	C	D	E	F	O	P
TCH-22101250	10" 250mm	253	250	148	--	--	--	--	176	--
TCH-22101300	12" 300mm	304	300	224	--	--	--	--	96	224
TCH-22101350	14" 350mm	355	350	--	--	224	--	50	128	256
TCH-22101400	16" 400mm	405	400	224	--	288	--	--	160	320
TCH-22101450	18" 450mm	456	450	224	352	--	--	--	160	352
TCH-22101500	20" 500mm	507	500	224	352	416	--	--	192	416
TCH-22101550	22" 550mm	558	550	224	352	416	--	50	224	448
TCH-22101600	24" 600mm	609	600	224	352	480	--	50	256	512